



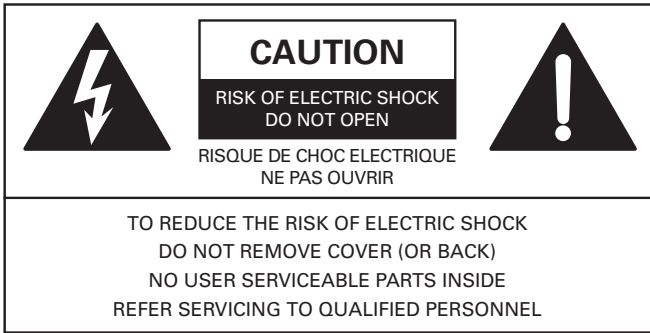
GLOBALCOM® 571 Mic Station

Installation Guide



©2023 Atlas Sound L.P. The Atlas "Circle A", Soundolier, and Atlas Sound are trademarks of Atlas Sound L.P. IED is a Registered Trademark of Innovative Electronic Designs LLC. All rights reserved. All other Trademarks are property of their respective owners. No endorsement is implied. Due to continual product development, specifications are subject to change without notice. ATIS007531 RevA 10/23 P/N 092523

Important Safety Instructions



Labeling on products and the Installation Instructions & User Manual may use safety related graphical symbols as shown below to note safety requirements.

⚡ Lightning Bolt: lightning flash with arrowhead symbol, within an equilateral triangle, WARNING symbol, is intended to alert the user to the presence of un-insulated dangerous voltage within the product's enclosure that may be sufficient in magnitude to constitute a risk of electric shock to persons or domestic animals.

⚠ Exclamation Point: The exclamation point within an equilateral triangle, CAUTION symbol, is intended to alert the user to the presence of important operating and maintenance (servicing) instructions, or a hazard that can damage equipment.

⚠ Do not proceed beyond a WARNING or CAUTION notice until you have understood the hazardous condition and have taken appropriate steps.

⚠ Ne continuez pas avant d'avoir pris connaissance du danger et prendre les mesures appropriées.

1. Read these instructions.
2. Keep these instructions.
3. Heed all warnings.
4. Follow all instructions.
5. Do not use this device near water.
6. Clean only with dry cloth.
7. Do not block any ventilation openings. Install in accordance with the manufacturer's instructions.
8. Do not install near any heat sources such as radiators, heat registers, stoves, or other device that produce heat.
9. This product is equipped with a three-wire grounding-type plug, a plug having a third (grounding) pin. This plug will only fit into a grounding-type power outlet. This is a safety feature. If you are unable to insert the plug into the outlet, contact your electrician to replace your obsolete outlet. Do not defeat the safety purpose of the grounding-type plug.
10. To completely disconnect this equipment from the mains, disconnect the power supply cord plug from the receptacle.
11. The mains plug of the power supply cord shall remain readily operable.
12. Protect the power cord from being walked on or pinched particularly at plugs, convenience receptacles, and the point where they exit from the device.

13. Only use attachments / accessories specified by the manufacturer.

14. Use only with the cart, stand, tripod, bracket, or table specified by the manufacturer, or sold with the device. When a cart is used, use caution when moving the cart / device combination to avoid injury from tip-over.



15. Unplug this device during lightning storms or when unused for long periods of time.

16. Refer all servicing to qualified service personnel. Servicing is required when the device has been damaged in any way, such as power-supply cord or plug is damaged, liquid has been spilled, or objects have fallen into the device, the device has been exposed to rain or moisture, does not operate normally, or has been dropped.

WARNING: To reduce the risk of fire or electric shock, do not expose this apparatus to rain, moisture, dripping, splashing, or place objects filled with liquids on the equipment.

AVERTISSEMENT: Afin de réduire le risque d'incendie ou de choc électrique, n'exposez pas cet appareil à la pluie, à l'humidité, à l'égouttement, aux éclaboussures, et ne posez pas des objets remplis de liquide sur l'appareil

WARNING: If apparatus is equipped with Class I grounding plugs for safety purposes, it must be connected to MAINS that employ a protective earth ground connection.

AVERTISSEMENT: si l'appareil est équipé de prises de terre classe I, pour des raisons de sécurité, il doit être branché sur un réseau ayant une prise de terre de protection.

WARNING: The MAINS plug on this device may be used as the DISCONNECT DEVICE for MAINS power and must remain readily operable.

AVERTISSEMENT: La prise principale de cet appareil peut être utilisé comme DISPOSITIF de DECONNEXION du courant principal et doit rester facilement accessible.

WARNING: Installation and maintenance of AtlasIED equipment is to be made by trained / qualified personnel and must conform to all applicable local codes.

AVERTISSEMENT: l'installation et la maintenance des équipements AtlasIED doit être faite par du personnel formé / qualifié et doivent être conformes à toutes les réglementations locales en vigueur.

WARNING: If unit contains a lithium battery, there is a danger of explosion. Replace only with the same or equivalent type.

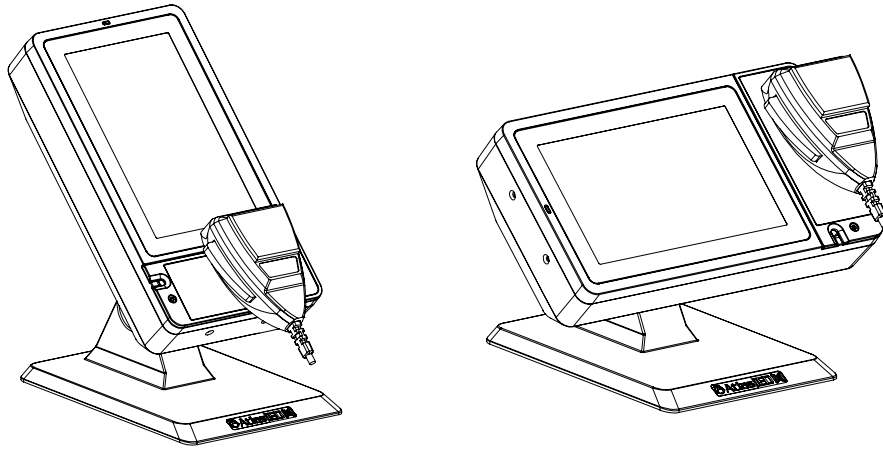
AVERTISSEMENT: Si l'unité contient une pile au lithium, il y a un danger d'explosion. Remplacez-la uniquement avec un modèle identique ou équivalent.

Hearing Damage

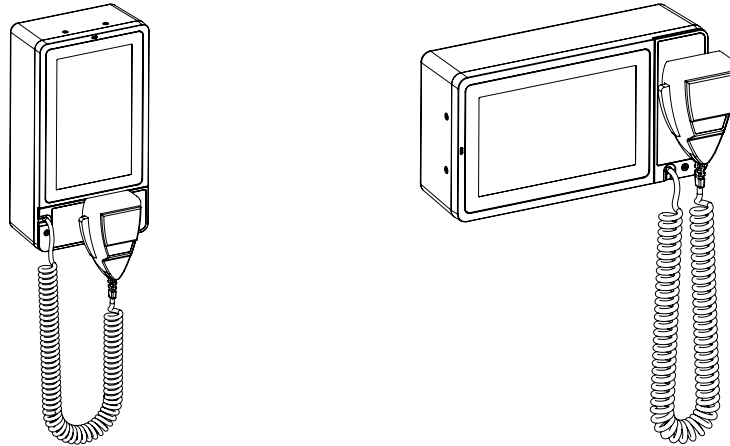
CAUTION: All professional speaker systems are capable of generating very high sound pressure levels. Use care with placement and operation to avoid exposure to excessive levels that can cause permanent hearing damage.

ATTENTION: Tous les systèmes de haut-parleurs professionnels sont capables de générer des niveaux de pression sonore très élevés. Utilisez les soins avec le placement et l'opération pour éviter l'exposition des niveaux excessifs pouvant causer des dommages auditifs permanents.

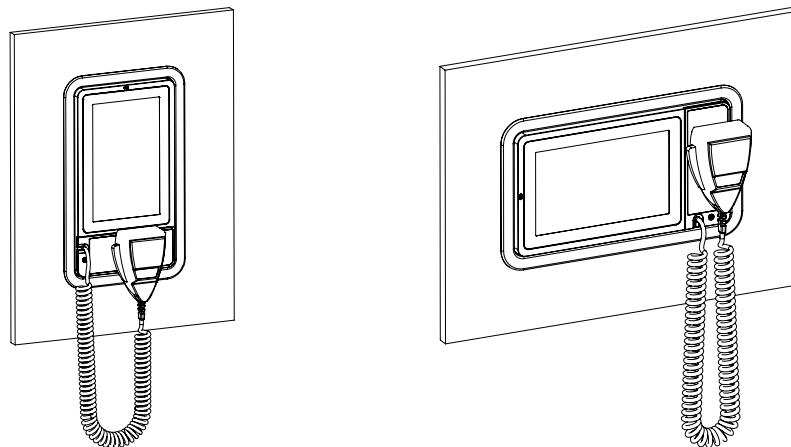
Desktop Mount (571MK-DT)



Surface Mount (571MK-S)



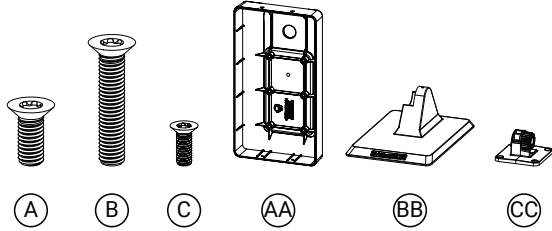
Flush Mount (571MK-F)



©2023 Atlas Sound L.P. The Atlas "Circle A", Soundolier, and Atlas Sound are trademarks of Atlas Sound L.P. IED is a Registered Trademark of Innovative Electronic Designs LLC. All rights reserved. All other Trademarks are property of their respective owners. No endorsement is implied. Due to continual product development, specifications are subject to change without notice. AT5007531 RevA 10/23 P/N 092523

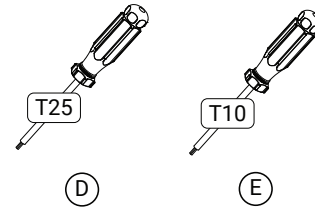
Package Contents

INCLUDED CONTENTS



ITEM	DESCRIPTION	PART NUMBER	QUANTITY
A	M5 x 12mm Torx Flathead Screw	1-14577	4
B	M5 x 25mm Torx Flathead Screw	1-14576	1
C	M3 x 8mm Torx Flathead Screw	1-14574	6
AA	Desktop Enclosure	1-10644	1
BB	Desktop Base	1-11390	1
CC	Desktop Hinge	1-11389	1

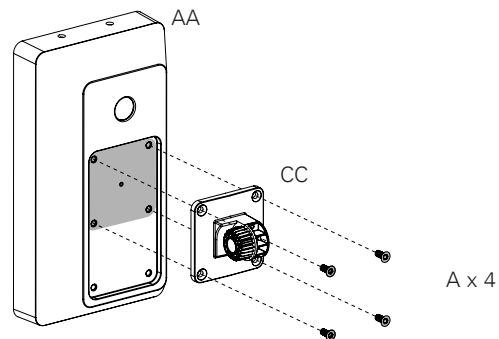
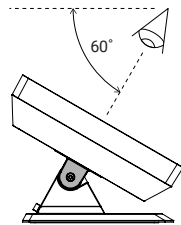
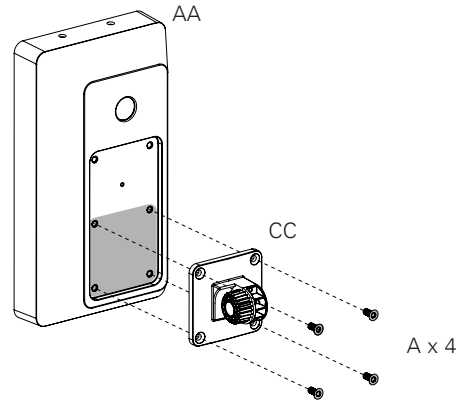
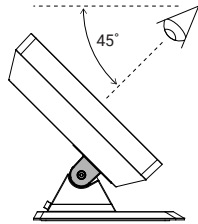
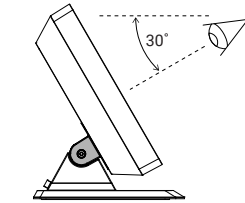
REQUIRED TOOLS



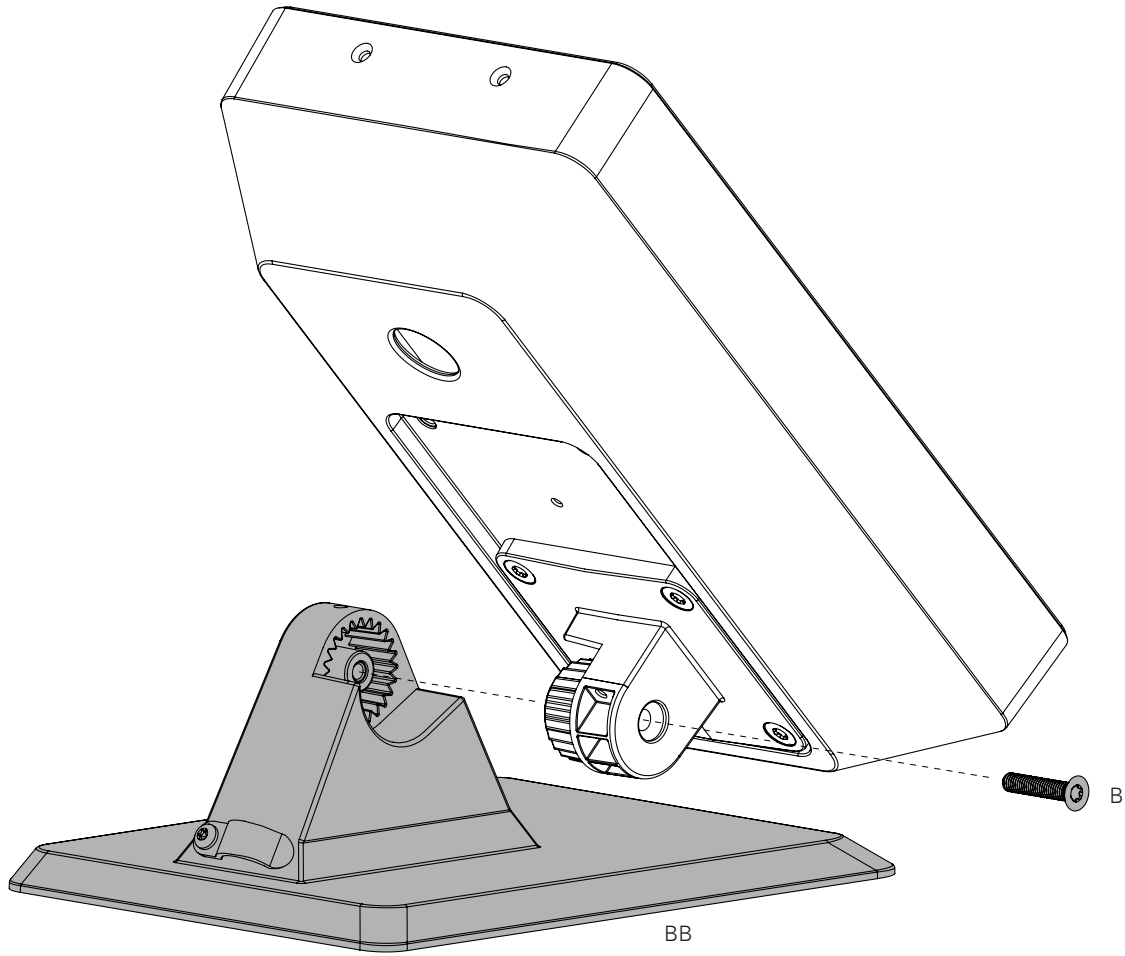
ITEM	DESCRIPTION	QUANTITY
D	T25 Torx Driver	1
E	T10 Torx Driver	1

Installing 571MK-DT Mount Kit

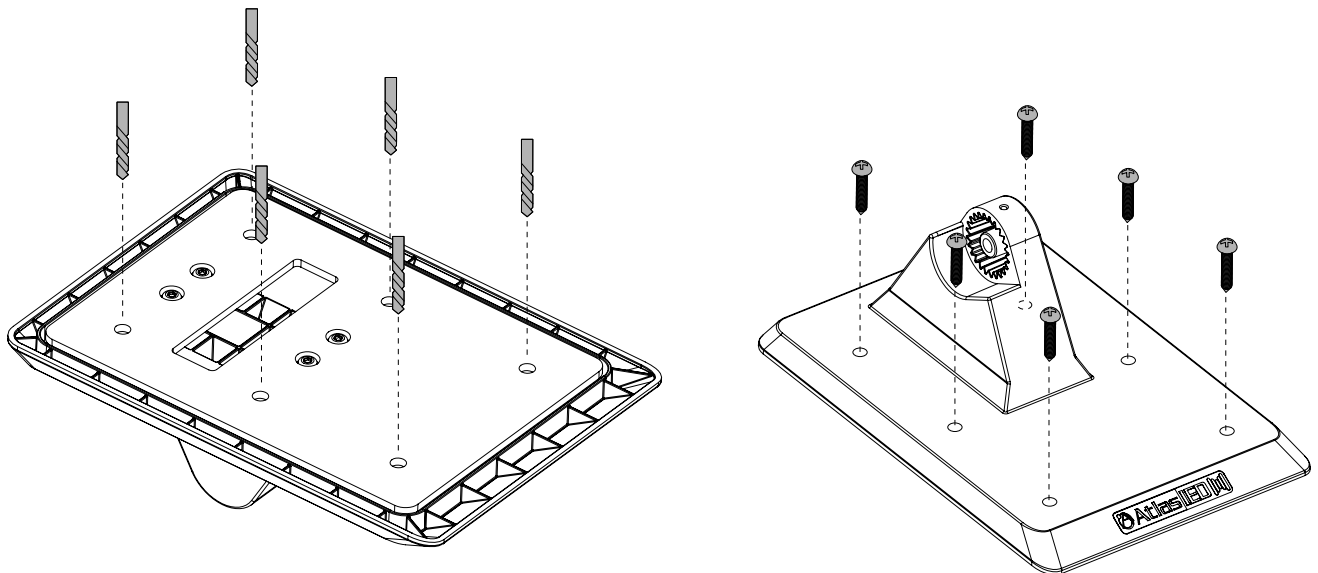
Step 1: Desktop Mount - Vertical



Step 2: Desktop Mount- Vertical

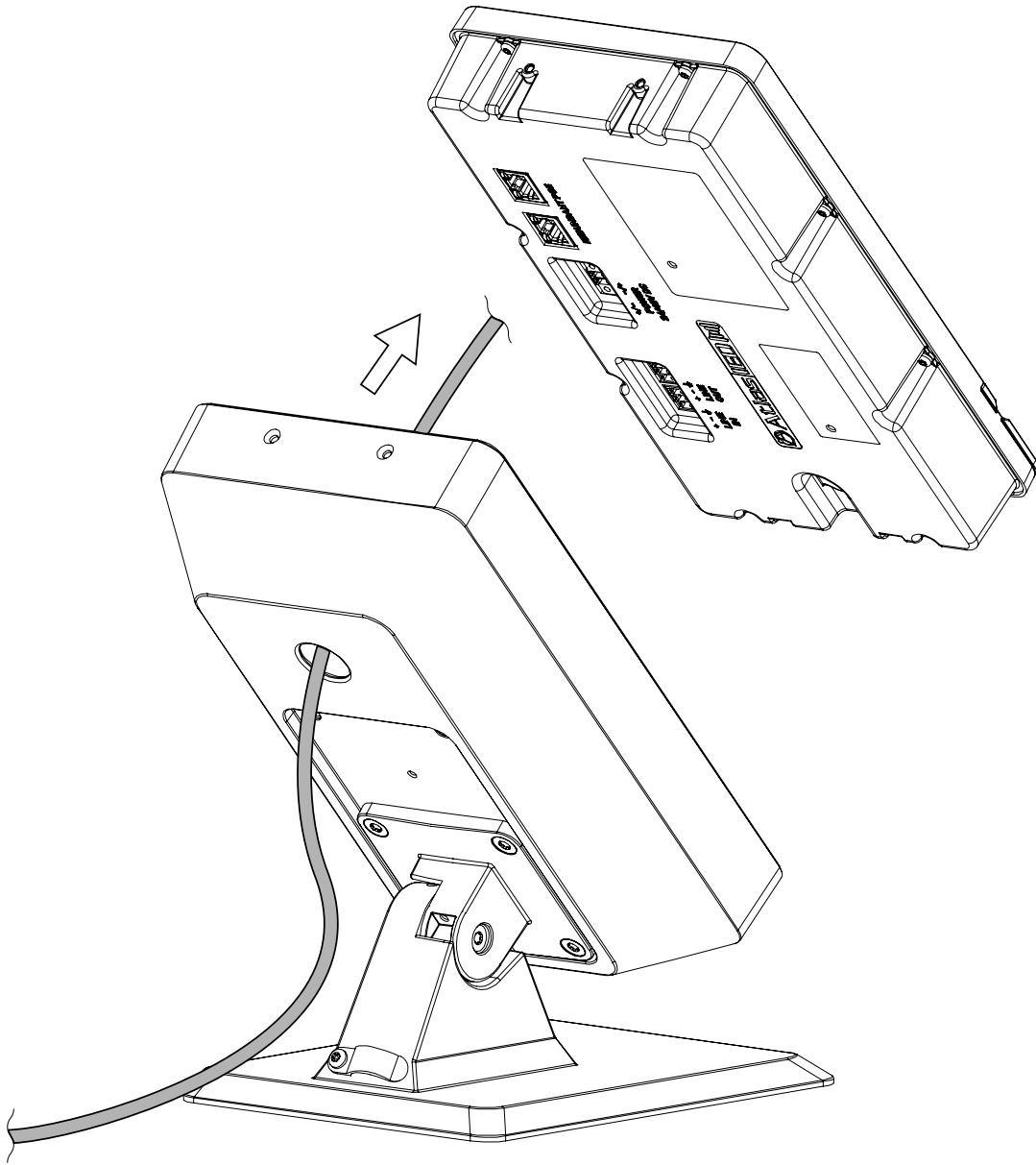


Optional: If needing to secure a mic station to a desk, before attaching the base, you must drill six holes into the base using a #10 or 5mm drill and screw in as shown below (screws not included).



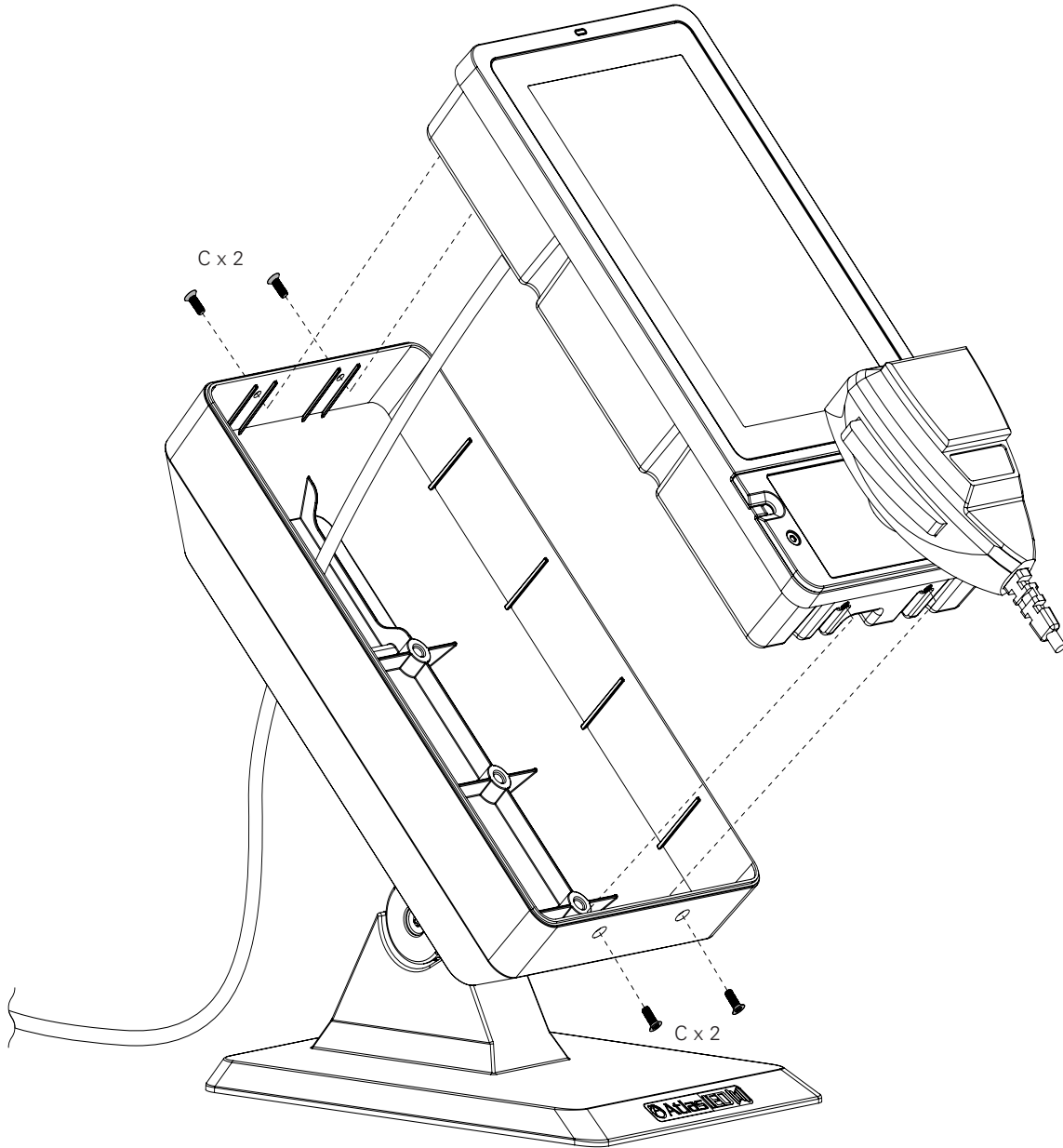
©2023 Atlas Sound L.P. The Atlas "Circle-A", Soundolier, and Atlas Sound are trademarks of Atlas Sound L.P. IED is a Registered Trademark of Innovative Electronic Designs LLC. All rights reserved. All other Trademarks are property of their respective owners. No endorsement is implied. Due to continual product development, specifications are subject to change without notice. ATIS007531 RevA 10/23 P/N 092523

Step 3: Desktop Mount- Vertical



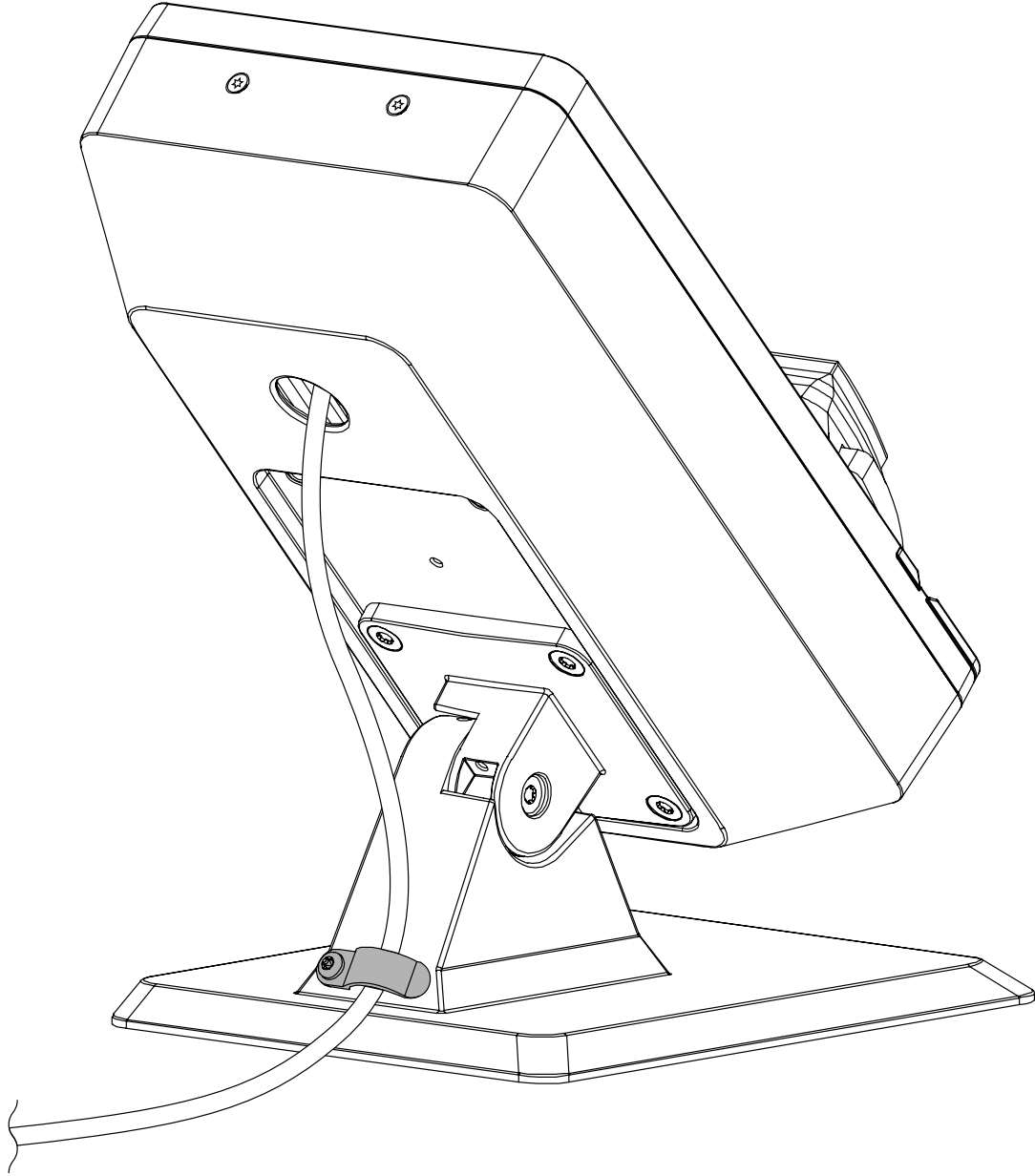
Note: Ensure that network cable is installed on the mic station before moving to the next step.

Step 4: Desktop Mount- Vertical



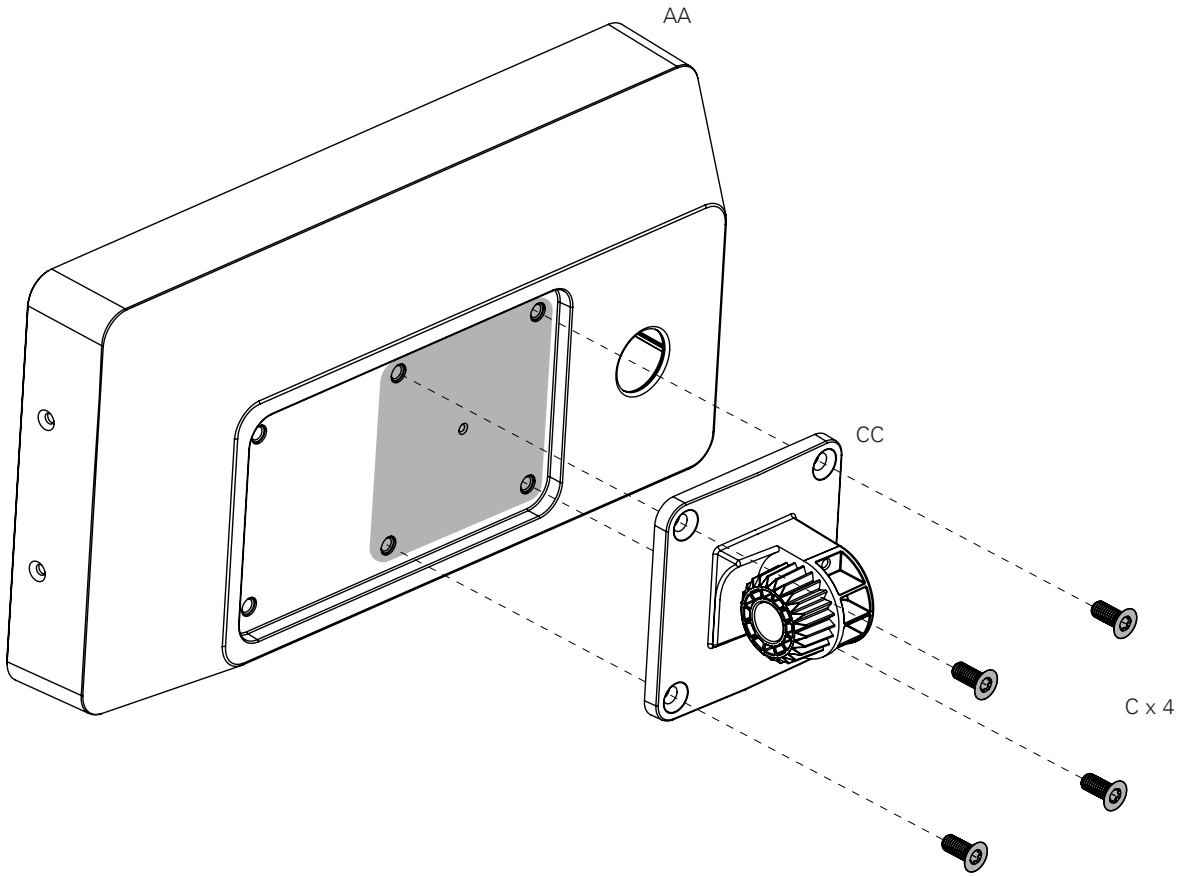
©2023 Atlas Sound L.P. The Atlas "Circle A", Soundolier, and Atlas Sound are trademarks of Atlas Sound L.P. IED is a Registered Trademark of Innovative Electronic Designs LLC. All rights reserved. All other Trademarks are property of their respective owners. No endorsement is implied. Due to continual product development, specifications are subject to change without notice. ATIS007531 RevA 10/23 P/N 092523

Step 5: Desktop Mount- Vertical

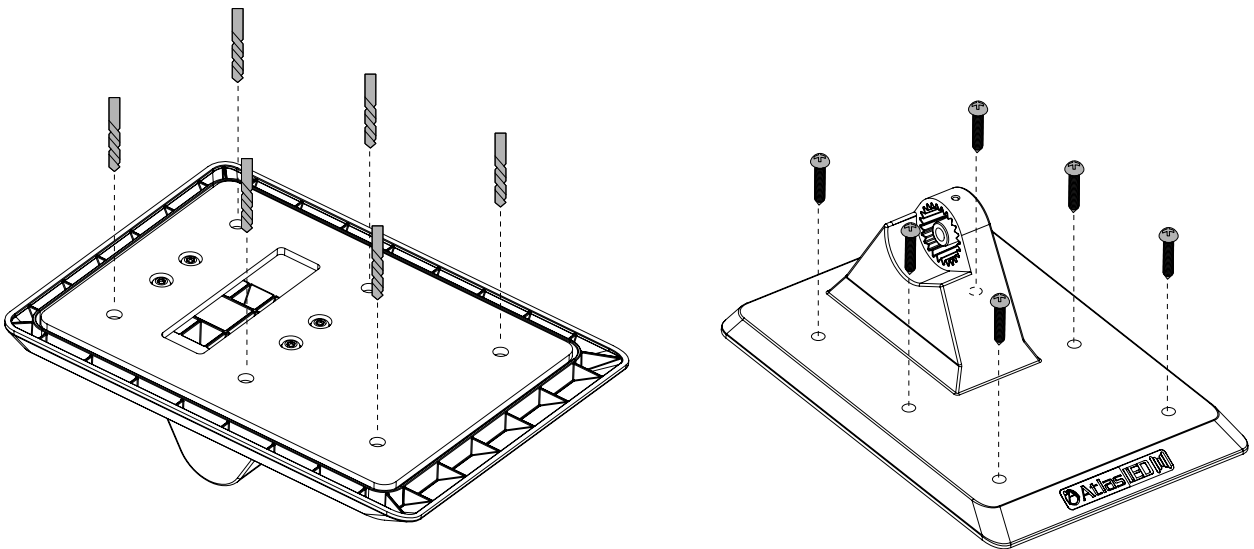


©2023 Atlas Sound L.P. The Atlas "Circle-A", Soundolier, and Atlas Sound are trademarks of Atlas Sound L.P. IED is a Registered Trademark of Innovative Electronic Designs LLC. All rights reserved. All other Trademarks are property of their respective owners. No endorsement is implied. Due to continual product development, specifications are subject to change without notice. ATIS007531 RevA 10/23 P/N 092523

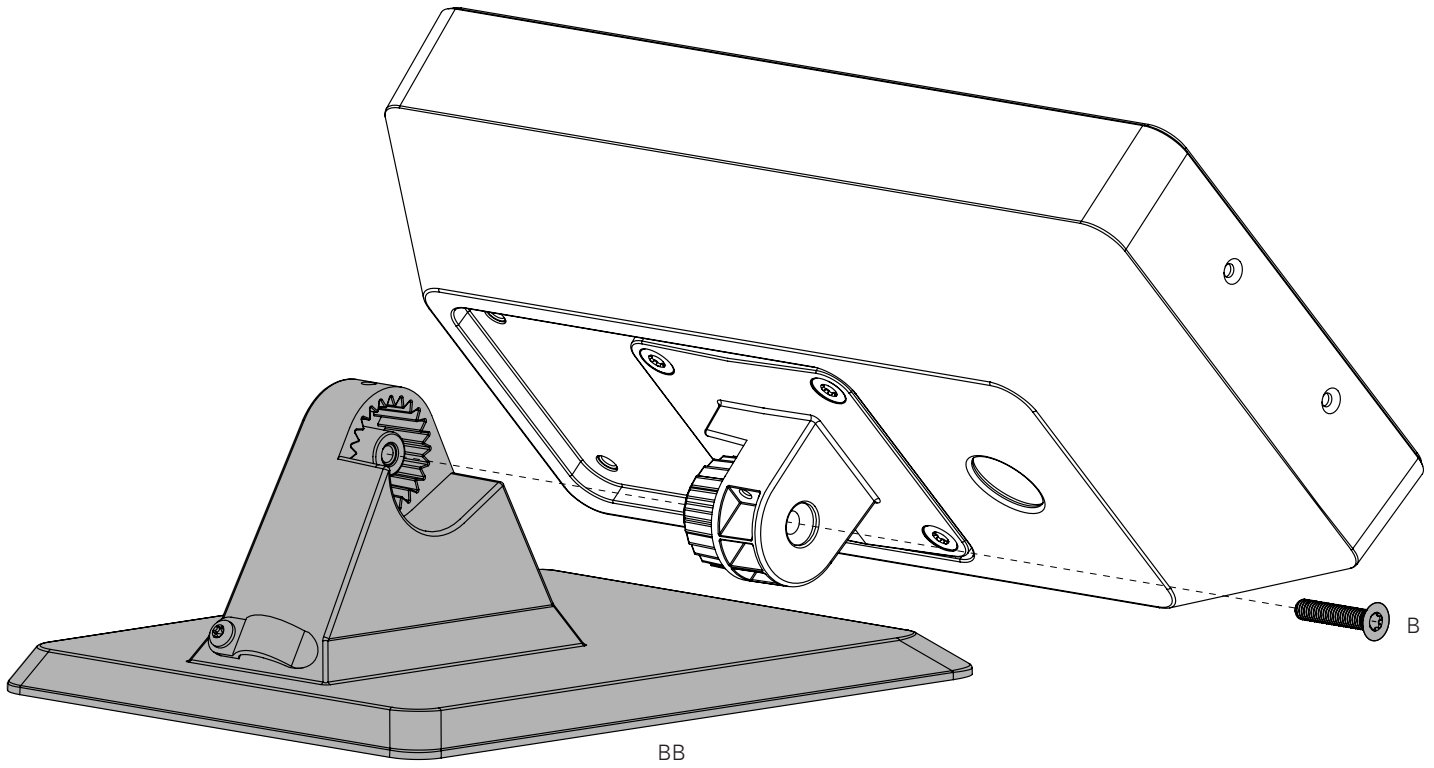
Step 1: Desktop Mount- Horizontal



Optional: If needing to secure a mic station to a desk, before attaching the base, you must drill holes to the base using #10 or 5mm drill and screw in as shown below (screws not included).

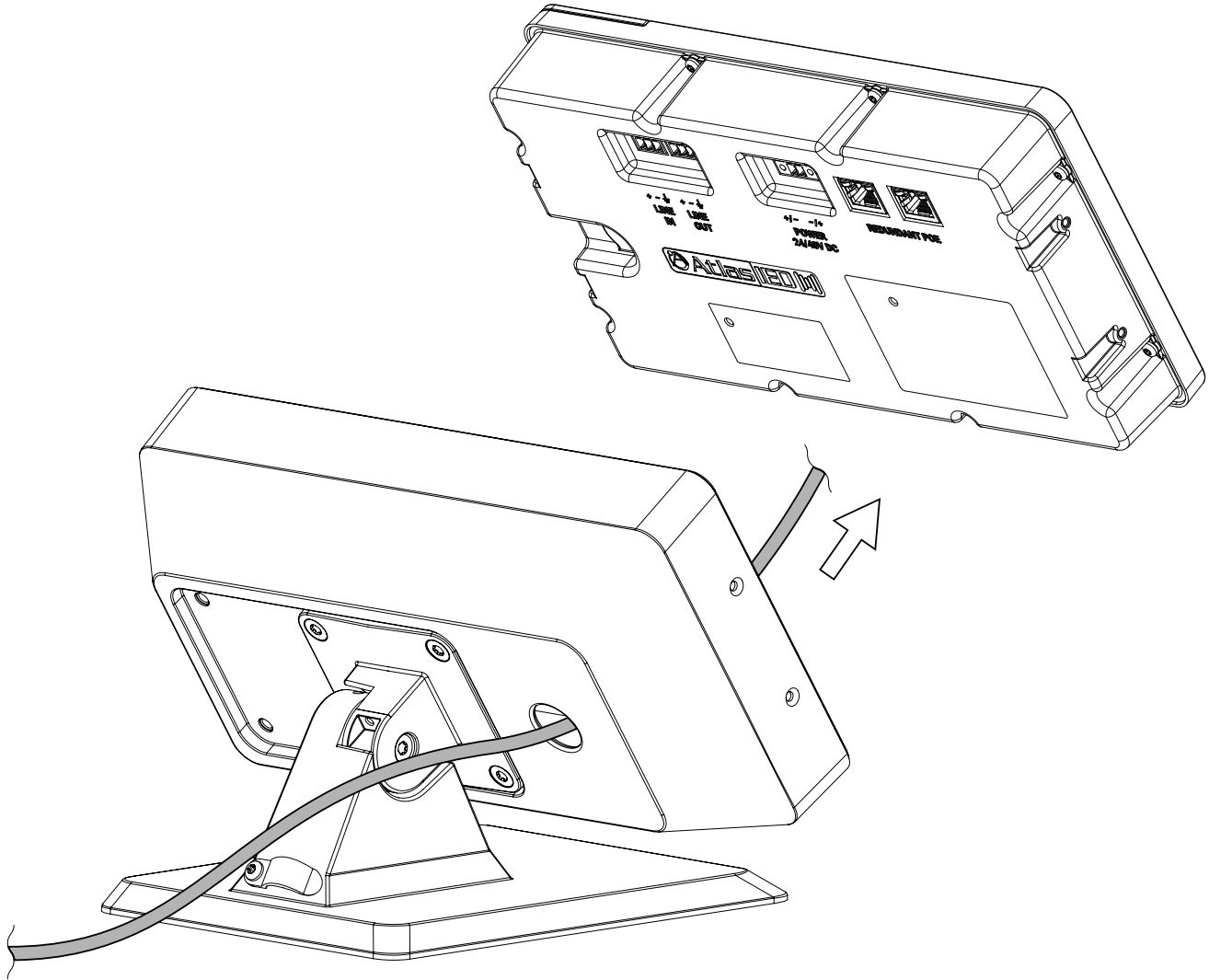


Step 2: Desktop Mount- Horizontal



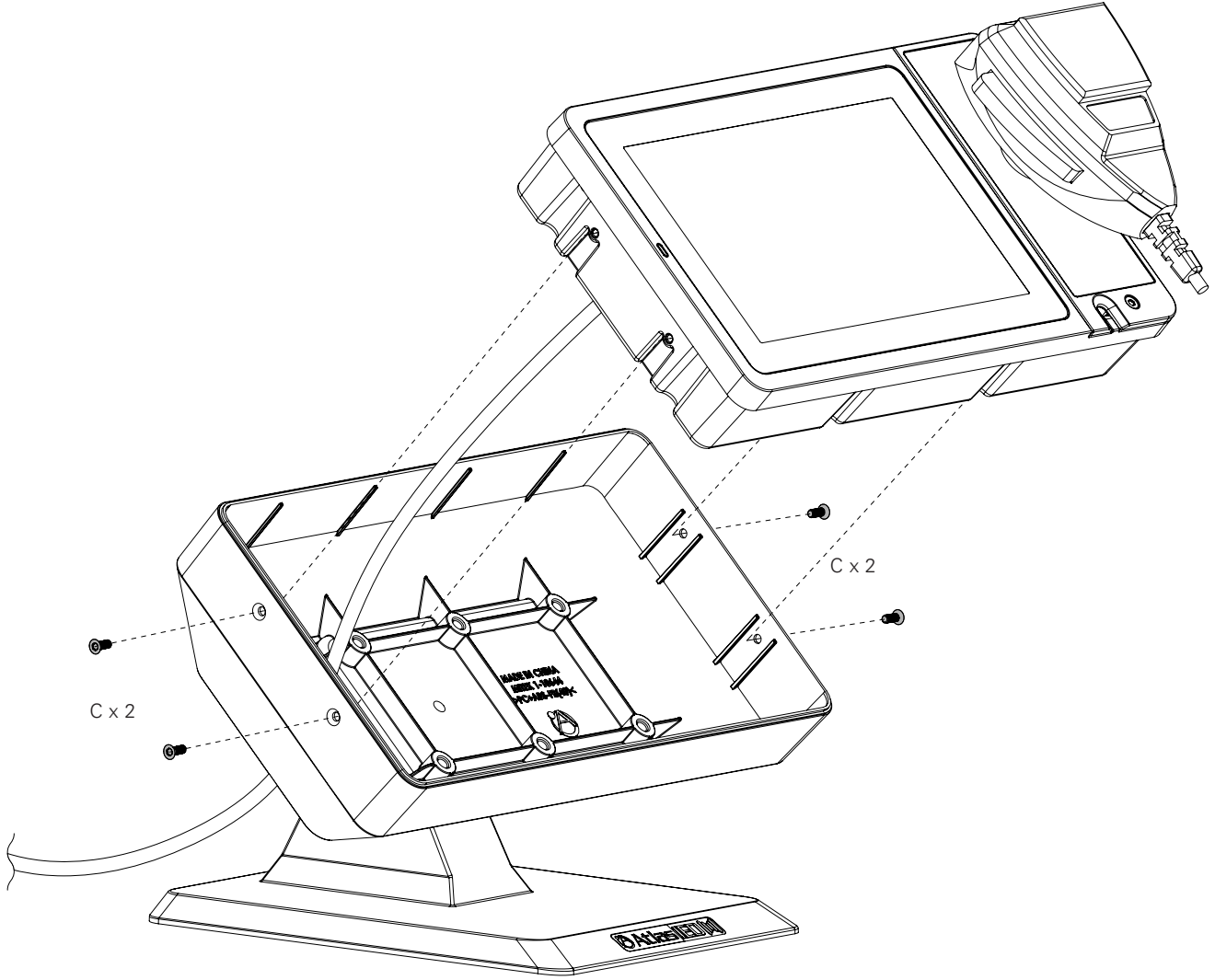
©2023 Atlas Sound L.P. The Atlas "Circle-A", Soundolier, and Atlas Sound are trademarks of Atlas Sound L.P. IED is a Registered Trademark of Innovative Electronic Designs LLC. All rights reserved. All other Trademarks are property of their respective owners. No endorsement is implied. Due to continual product development, specifications are subject to change without notice. ATIS007531 RevA 10/23 P/N 092523

Step 3: Desktop Mount- Horizontal



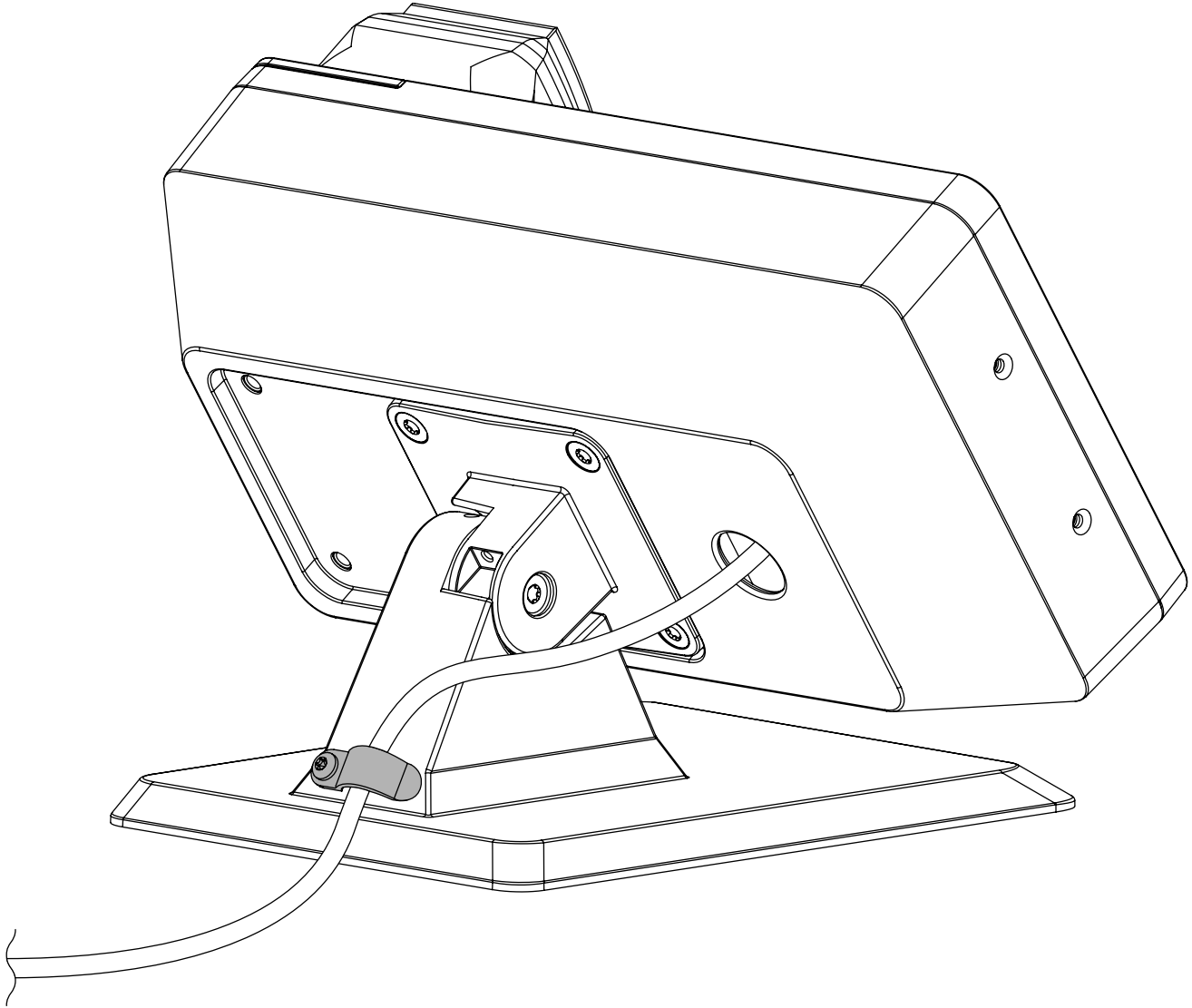
Note: Ensure that network cable is installed on the mic station before moving to the next step.

Step 4: Desktop Mount- Horizontal



©2023 Atlas Sound L.P. The Atlas "Circle A", Soundolier, and Atlas Sound are trademarks of Atlas Sound L.P. IED is a Registered Trademark of Innovative Electronic Designs LLC. All rights reserved. All other Trademarks are property of their respective owners. No endorsement is implied. Due to continual product development, specifications are subject to change without notice. ATIS007531 RevA 10/23 P/N 092523

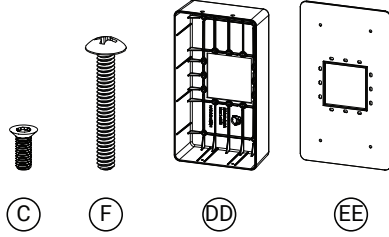
Step 5: Desktop Mount- Horizontal



©2023 Atlas Sound L.P. The Atlas "Circle-A", Soundolier, and Atlas Sound are trademarks of Atlas Sound L.P. IED is a Registered Trademark of Innovative Electronic Designs LLC. All rights reserved. All other Trademarks are property of their respective owners. No endorsement is implied. Due to continual product development, specifications are subject to change without notice. ATIS007531 RevA 10/23 P/N 092523

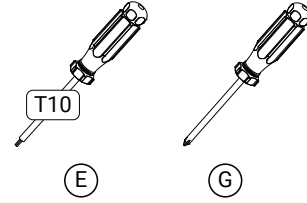
Package Contents

INCLUDED CONTENTS



ITEM	DESCRIPTION	PART NUMBER	QUANTITY
C	M3 x 8mm Torx Flathead Screw	1-14574	6
F	#6-23 x 1in Truss Head Phillips Screw	1-13504	4
DD	Surface Mount Enclosure	1-10646	1
EE	Surface Mount Trim Ring	1-11830	1

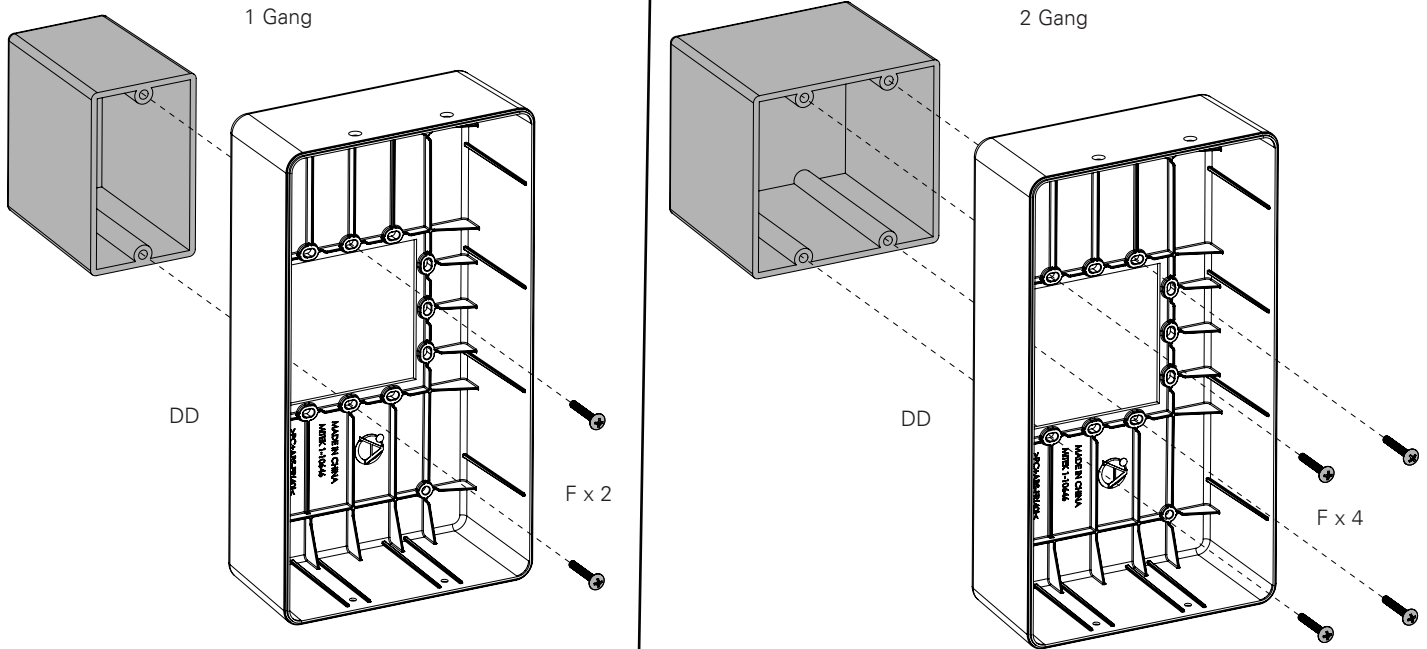
REQUIRED TOOLS



ITEM	DESCRIPTION	QUANTITY
E	T10 Torx Driver	1
G	Phillips Driver	1

Installing 571MK-S Surface Mount Kit

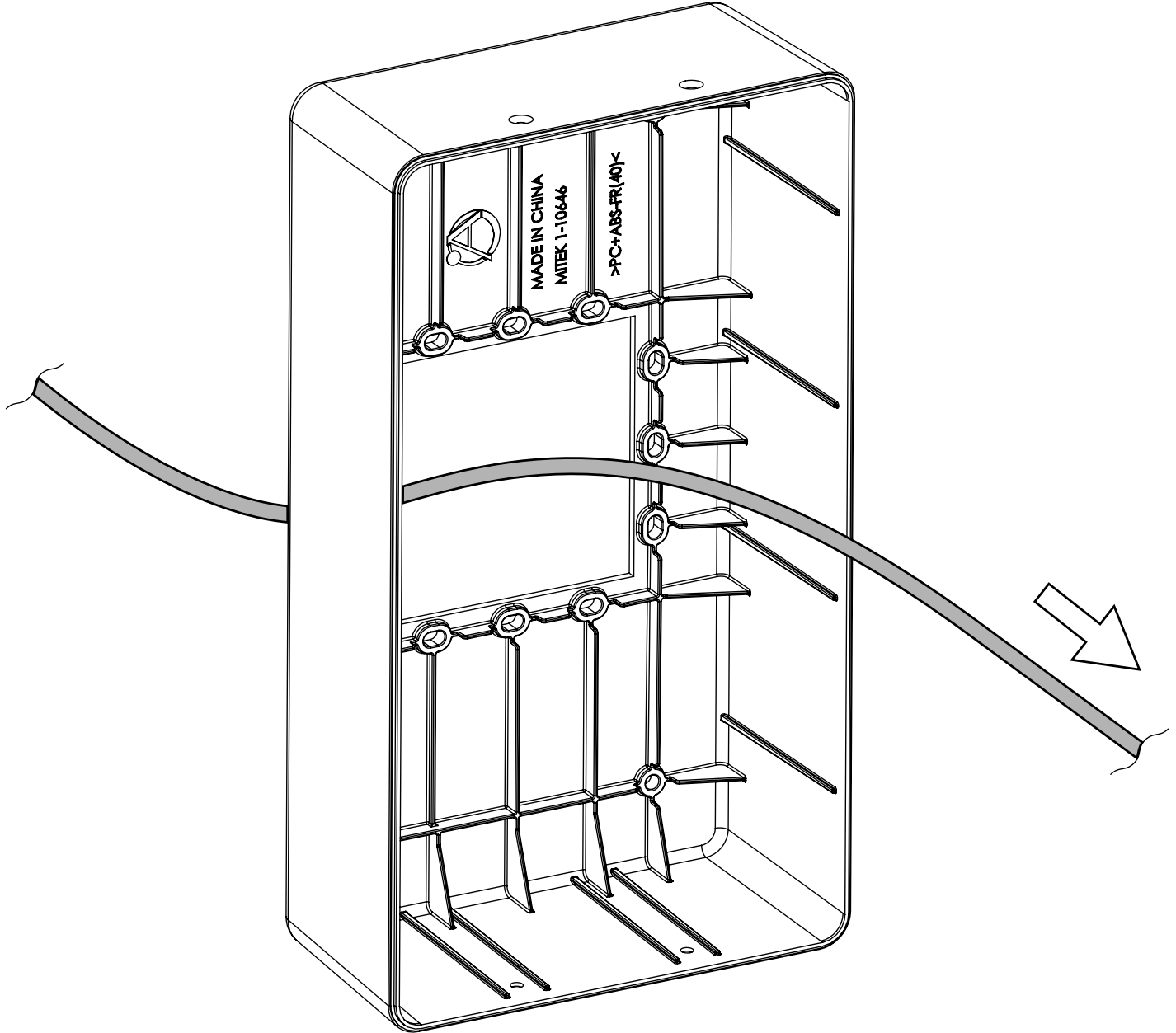
Step 1: Surface Mount - Vertical



Note: In addition to 1 and 2 gang boxes, the surface mount kit also has holes for 528 back boxes.

©2023 Atlas Sound L.P. The Atlas "Circle-A", Soundolier, and Atlas Sound are trademarks of Atlas Sound L.P. IED is a Registered Trademark of Innovative Electronic Designs LLC. All rights reserved. All other Trademarks are property of their respective owners. No endorsement is implied. Due to continual product development, specifications are subject to change without notice. AT5007531 RevA 10/23 P/N 092523

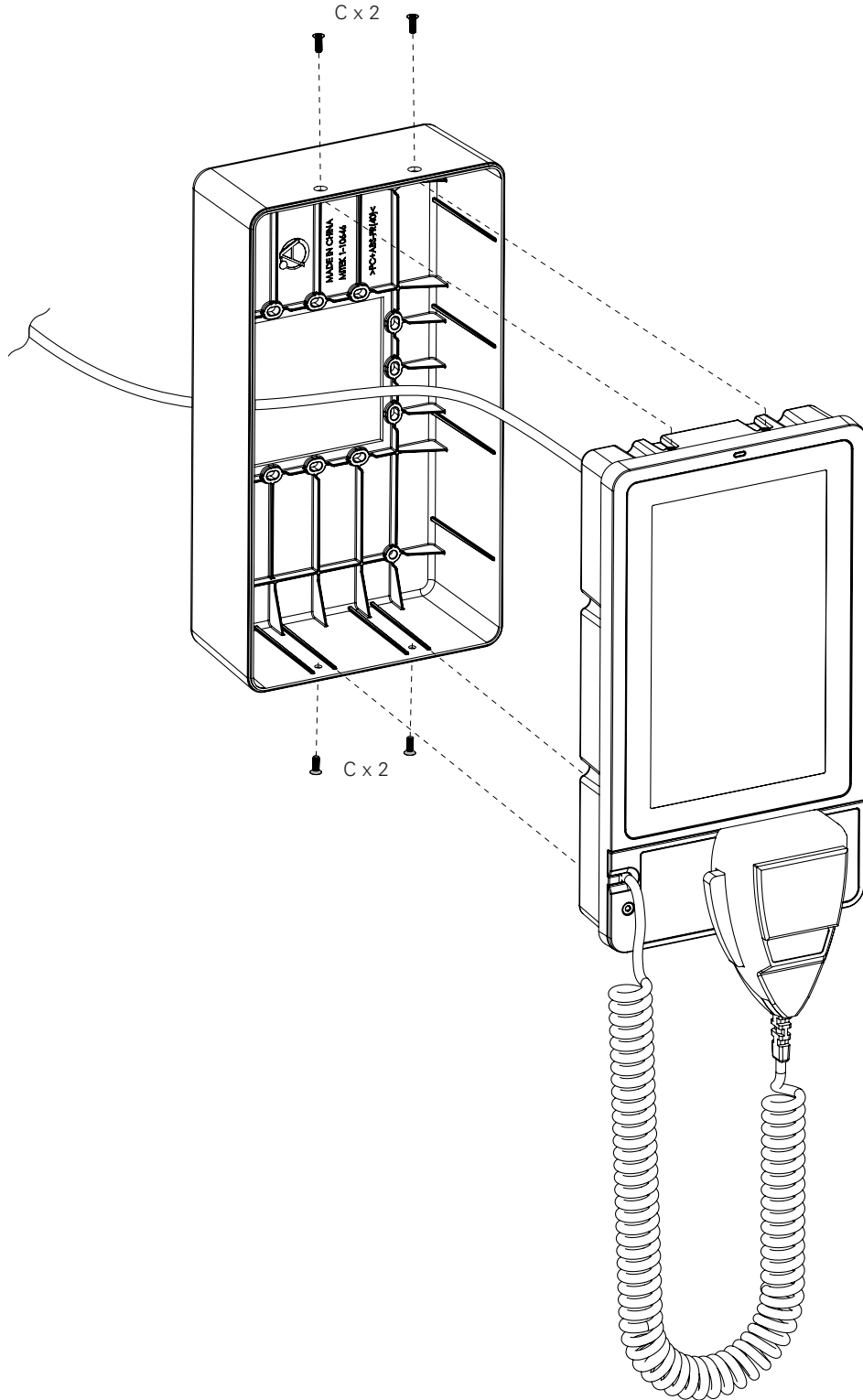
Step 2: Surface Mount- Vertical



Note: Ensure that network cable is installed on the mic station before moving to the next step.

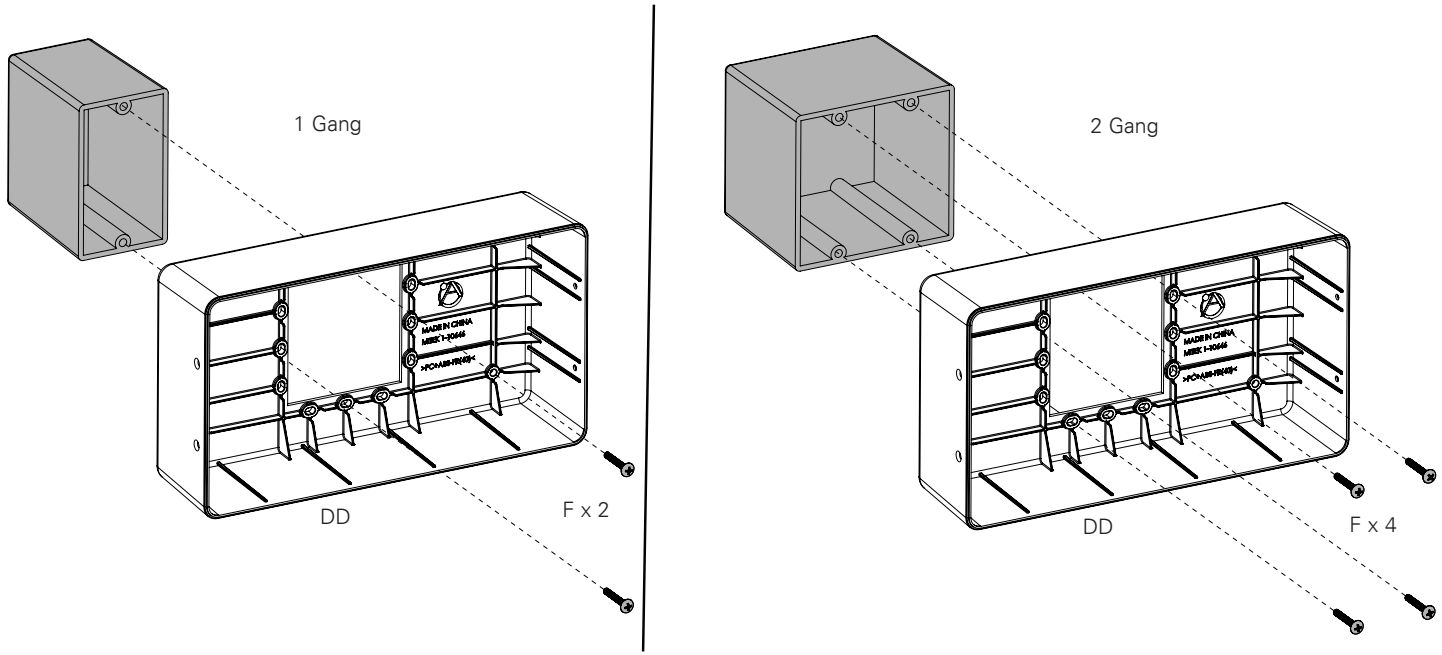
©2023 Atlas Sound L.P. The Atlas "Circle-A", Soundolier, and Atlas Sound are trademarks of Atlas Sound L.P. IED is a Registered Trademark of Innovative Electronic Designs LLC. All rights reserved. All other Trademarks are property of their respective owners. No endorsement is implied. Due to continual product development, specifications are subject to change without notice. ATIS007531 RevA 10/23 P/N 092523

Step 3: Surface Mount- Vertical



©2023 Atlas Sound L.P. The Atlas "Circle A", Soundolier, and Atlas Sound are trademarks of Atlas Sound L.P. IED is a Registered Trademark of Innovative Electronic Designs LLC. All rights reserved. All other Trademarks are property of their respective owners. No endorsement is implied. Due to continual product development, specifications are subject to change without notice. ATIS007531 RevA 10/23 P/N 092523

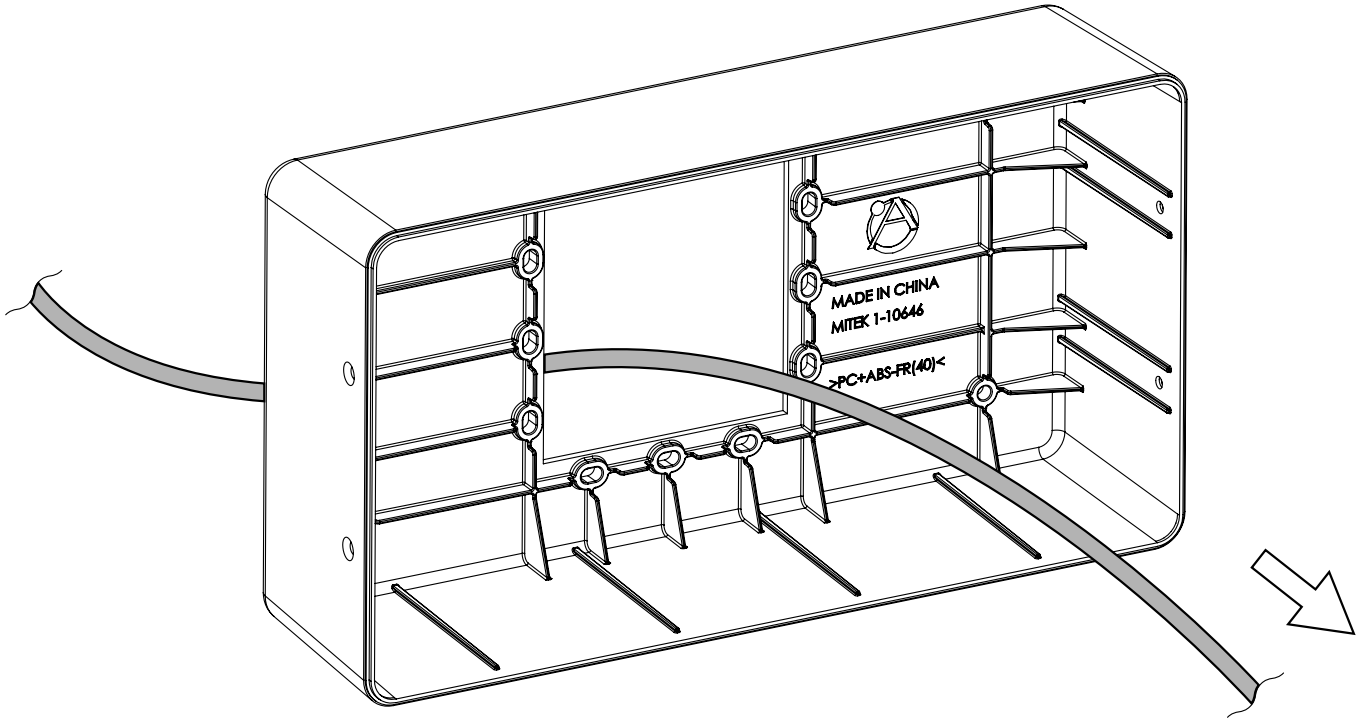
Step 1: Surface Mount- Horizontal



Note: In addition to 1 and 2 gang boxes, the surface mount kit also has holes for 528 series back boxes.

©2023 Atlas Sound L.P. The Atlas "Circle-A", Soundolier, and Atlas Sound are trademarks of Atlas Sound L.P. IED is a Registered Trademark of Innovative Electronic Designs LLC. All rights reserved. All other Trademarks are property of their respective owners. No endorsement is implied. Due to continual product development, specifications are subject to change without notice. ATIS007531 RevA 10/23 P/N 092523

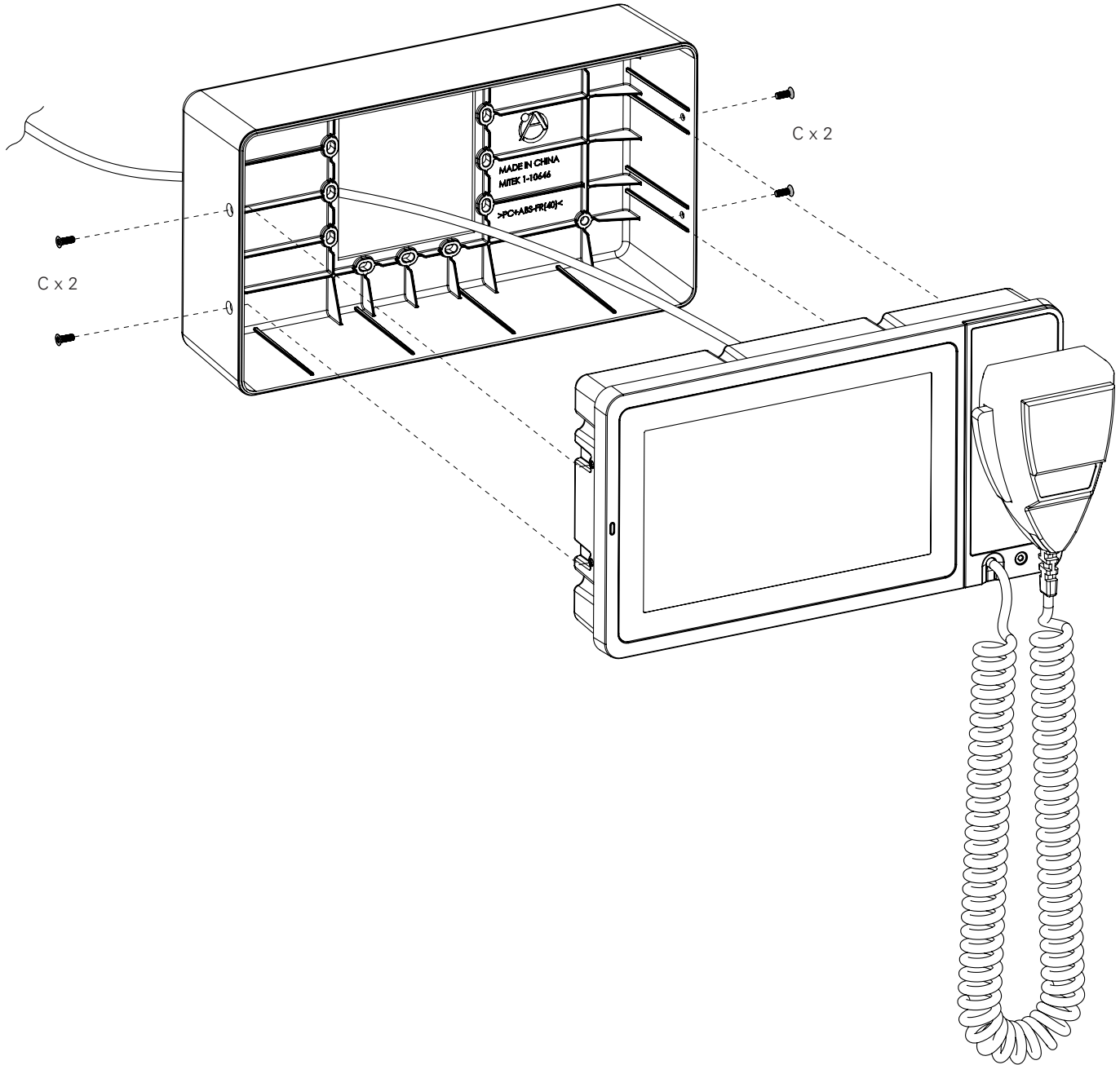
Step 2: Surface Mount- Vertical



Note: Ensure that network cable is installed on the mic station before moving to the next step.

©2023 Atlas Sound L.P. The Atlas "Circle-A", Soundolier, and Atlas Sound are trademarks of Atlas Sound L.P. IED is a Registered Trademark of Innovative Electronic Designs LLC. All rights reserved. All other Trademarks are property of their respective owners. No endorsement is implied. Due to continual product development, specifications are subject to change without notice. ATIS007531 RevA 10/23 P/N 092523

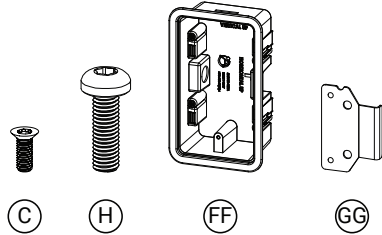
Step 3: Surface Mount- Horizontal



©2023 Atlas Sound L.P. The Atlas "Circle-A", Soundolier, and Atlas Sound are trademarks of Atlas Sound L.P. IED is a Registered Trademark of Innovative Electronic Designs LLC. All rights reserved. All other Trademarks are property of their respective owners. No endorsement is implied. Due to continual product development, specifications are subject to change without notice. ATIS007531 RevA 10/23 P/N 092523

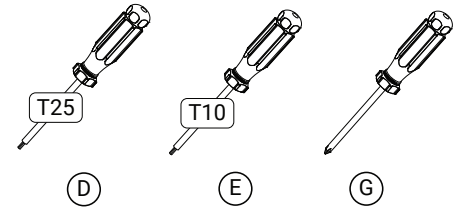
Package Contents

INCLUDED CONTENTS



ITEM	DESCRIPTION	PART NUMBER	QUANTITY
C	M3 x 8mm Torx Flathead Screw	1-14574	4
H	M5 x 16mm Pan Head Torx Screw	1-13505	1
FF	Flush Mount Enclosure	1-10647	1
GG	Flush Mount Bracket	1-10664	1

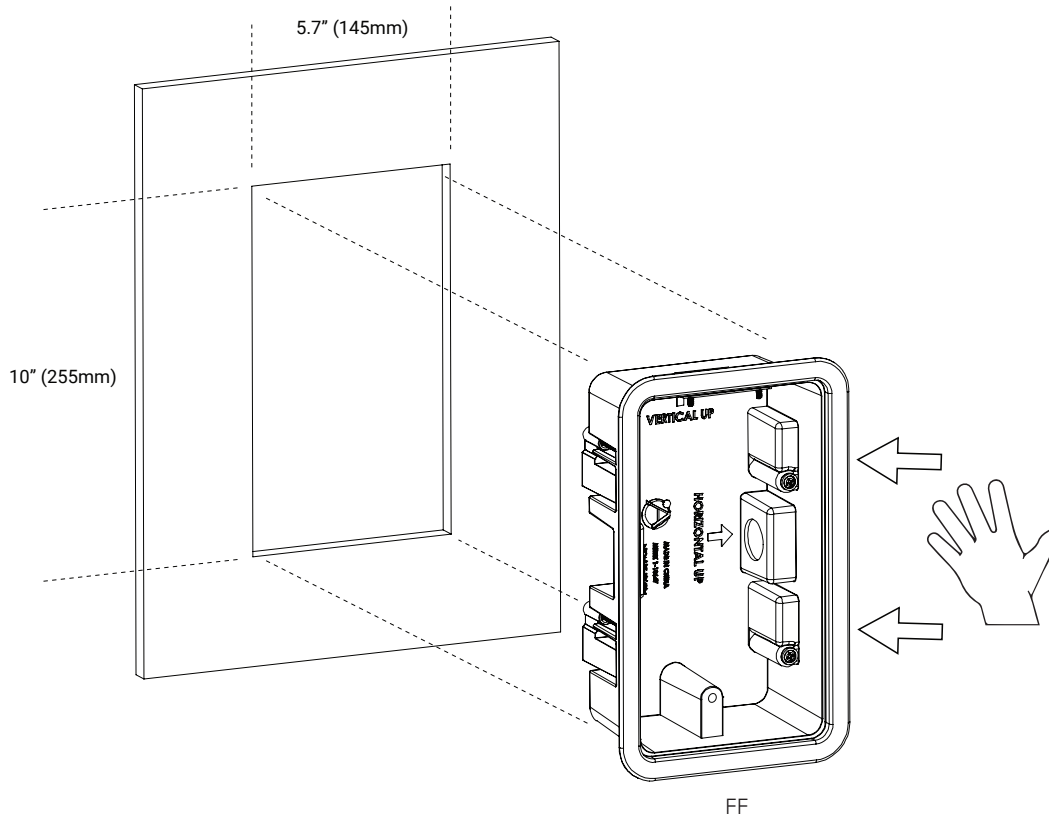
REQUIRED TOOLS



ITEM	DESCRIPTION	QUANTITY
D	T25 Torx Driver	1
E	T10 Torx Driver	1
G	Phillips Driver	1

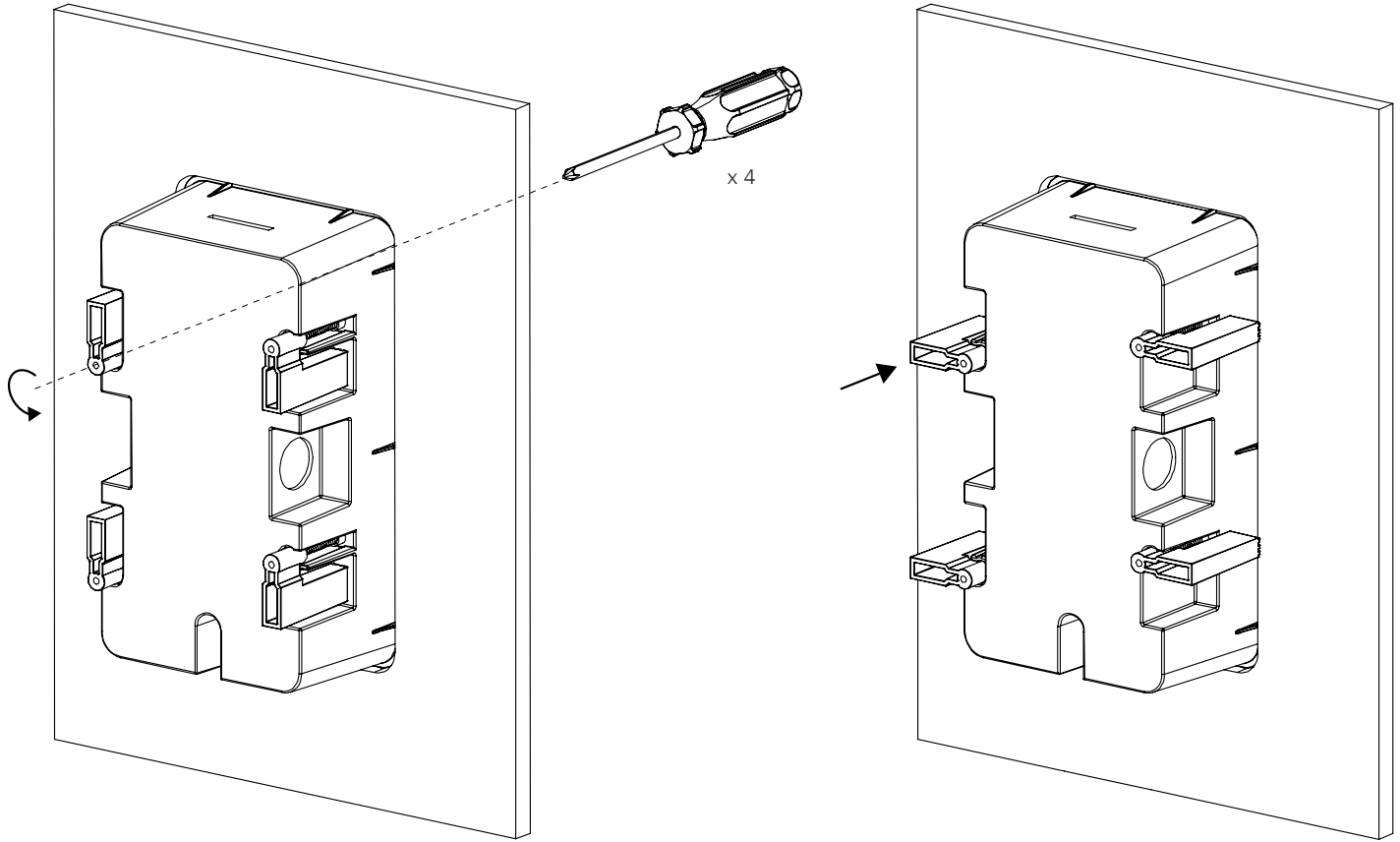
Installing 571MK-S Surface Mount Kit

Step 1: Flush Mount - Vertical



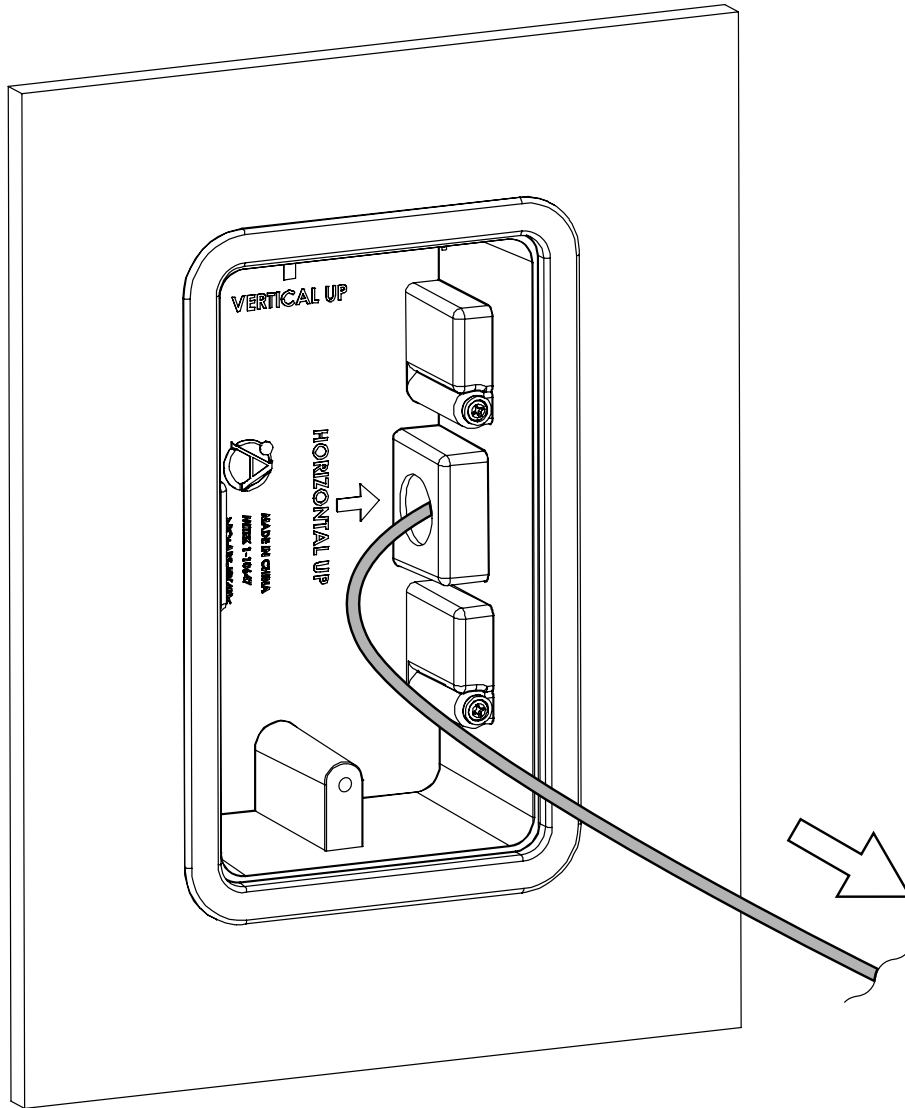
Note: For pre-construction use the 571MK-F-BR (purchased separately). Instructions for the 571MK-F-BR are at the end of this guide.

Step 2: Flush Mount-Vertical



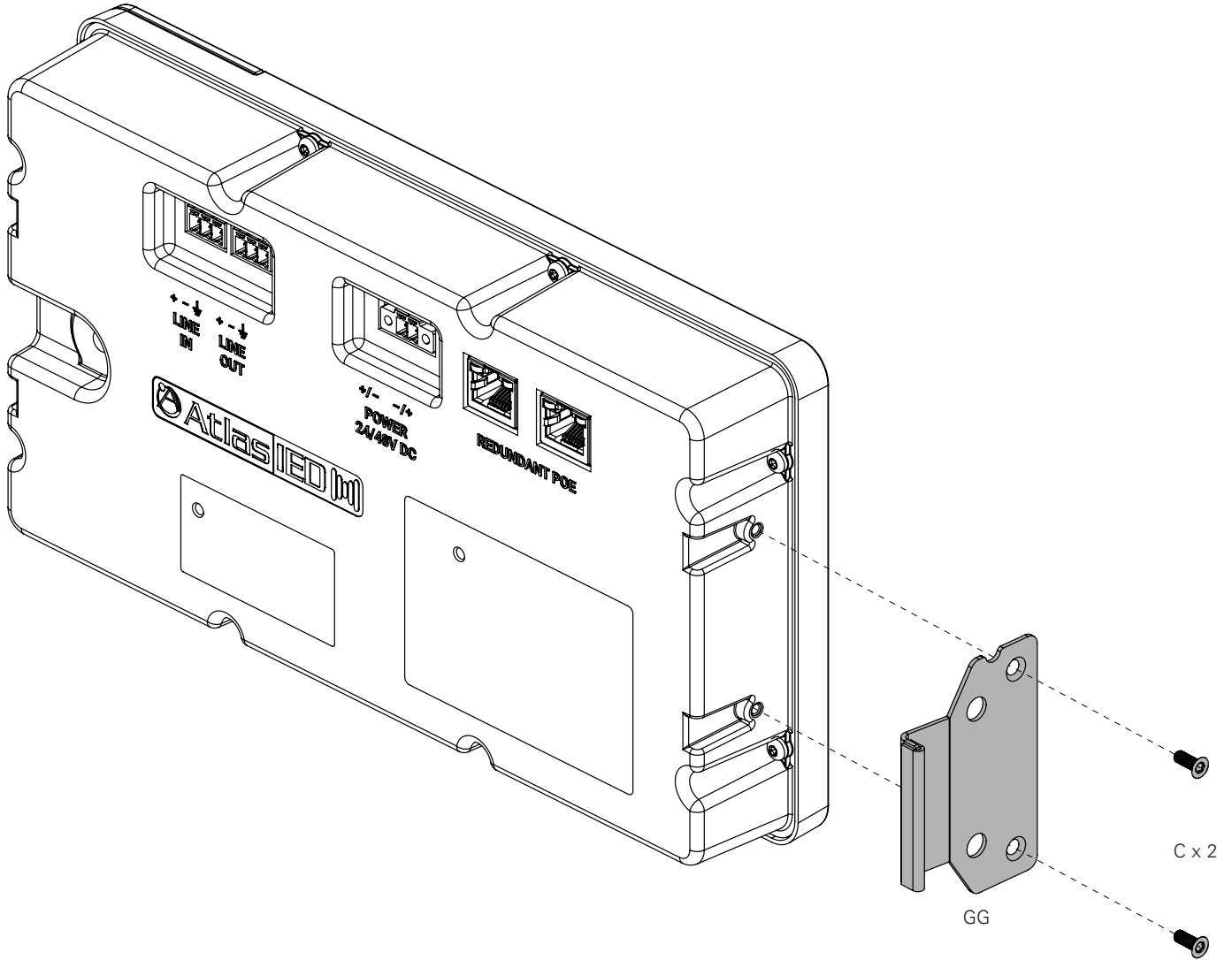
©2023 Atlas Sound L.P. The Atlas "Circle-A", Soundolier, and Atlas Sound are trademarks of Atlas Sound L.P. IED is a Registered Trademark of Innovative Electronic Designs LLC. All rights reserved. All other Trademarks are property of their respective owners. No endorsement is implied. Due to continual product development, specifications are subject to change without notice. ATIS007531 RevA 10/23 P/N 092523

Step 3: Flush Mount-Vertical



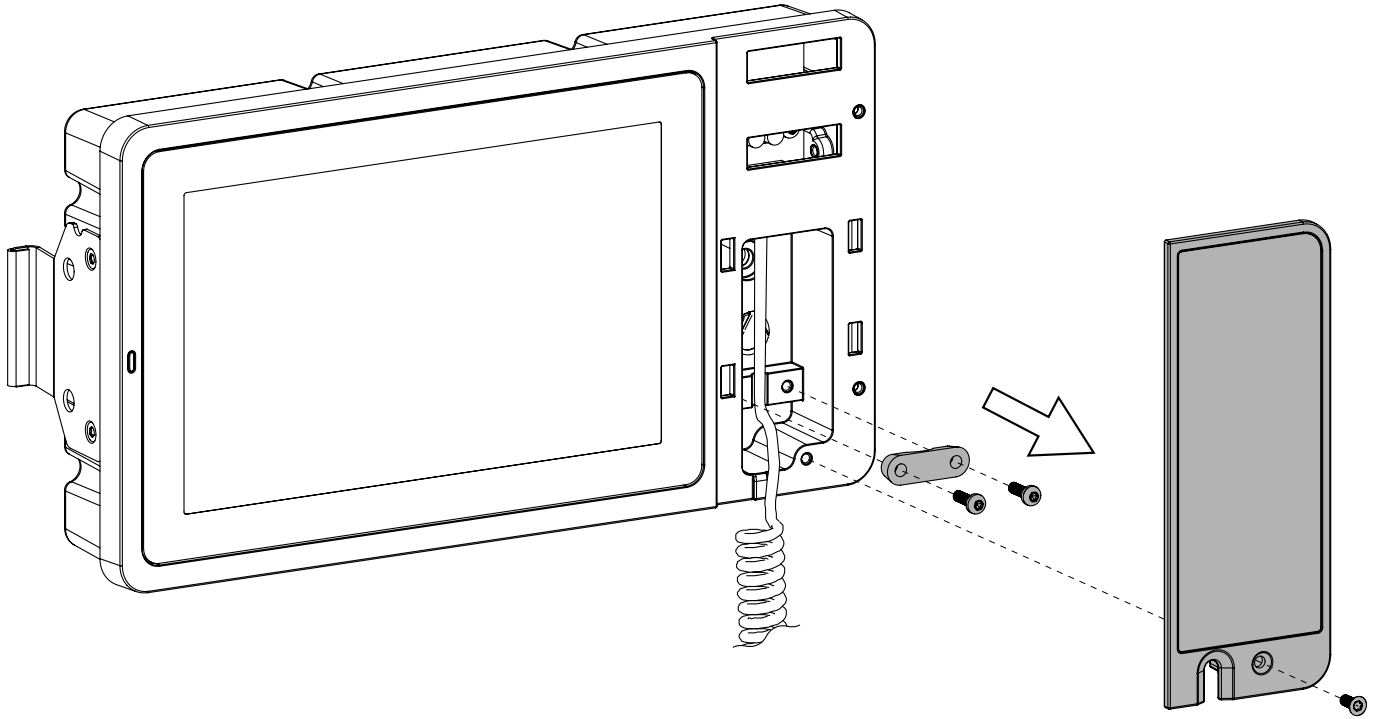
Note: Ensure that network cable is installed on the mic station before moving to the next step.

Step 4: Flush Mount-Vertical



©2023 Atlas Sound L.P. The Atlas "Circle-A", Soundolier, and Atlas Sound are trademarks of Atlas Sound L.P. IED is a Registered Trademark of Innovative Electronic Designs LLC. All rights reserved. All other Trademarks are property of their respective owners. No endorsement is implied. Due to continual product development, specifications are subject to change without notice. ATIS007531 RevA 10/23 P/N 092523

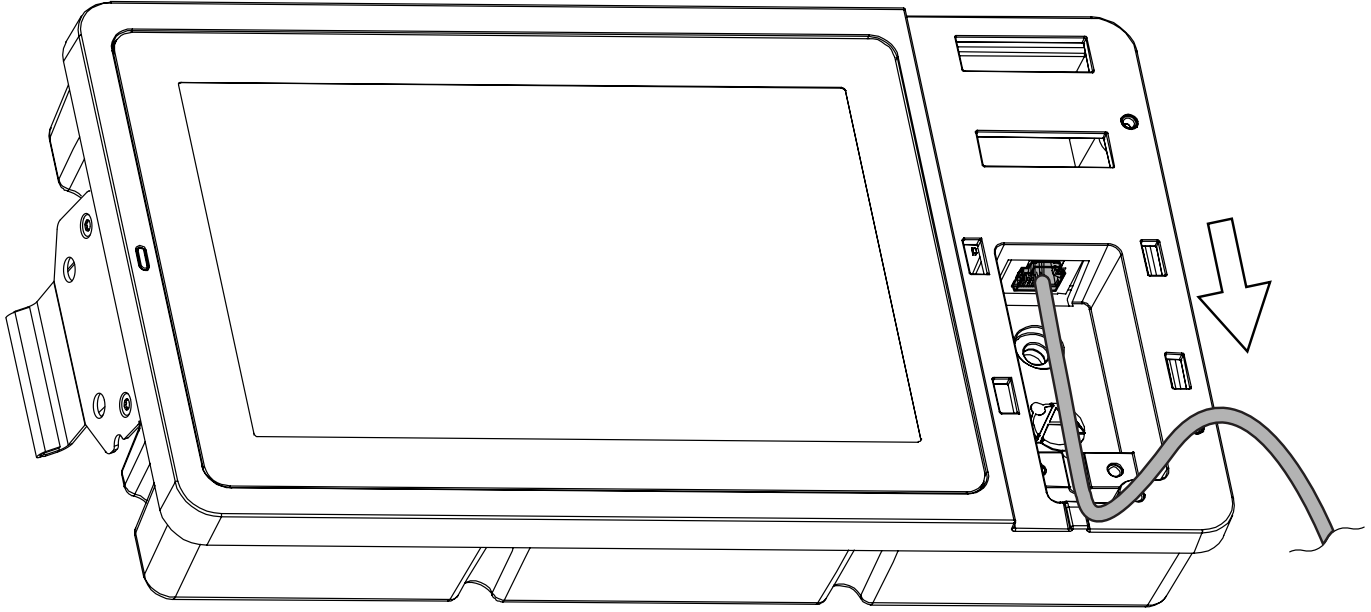
Step 5: Flush Mount- Vertical



Note: Remove the pre-installed plate and strain relief from the 571 Mic Station (not part of the mourning kit)

©2023 Atlas Sound L.P. The Atlas "Circle-A", Soundolier, and Atlas Sound are trademarks of Atlas Sound L.P. IED is a Registered Trademark of Innovative Electronic Designs LLC. All rights reserved. All other Trademarks are property of their respective owners. No endorsement is implied. Due to continual product development, specifications are subject to change without notice. ATS007531 RevA 10/23 P/N 092523

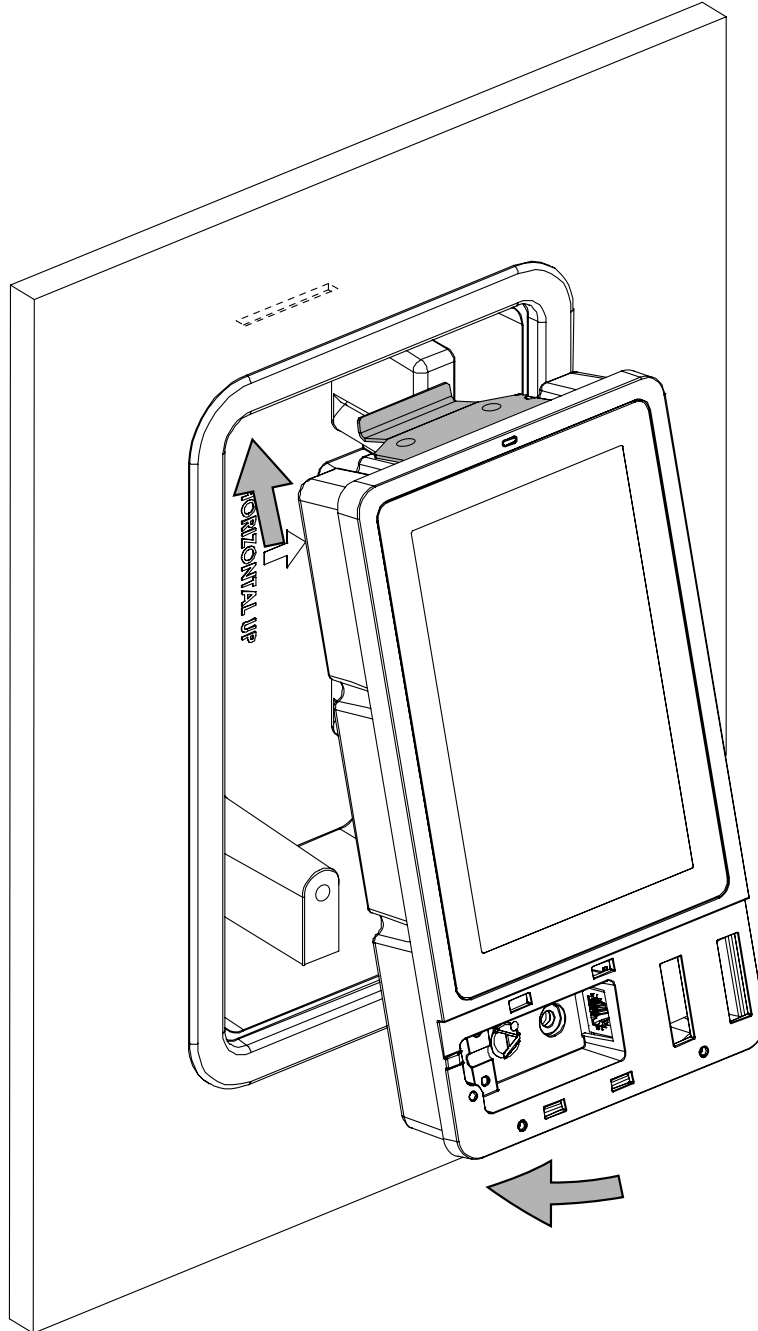
Step 6: Flush Mount-Vertical



Note: Remove the installed microphone cable to access the screw hole underneath.

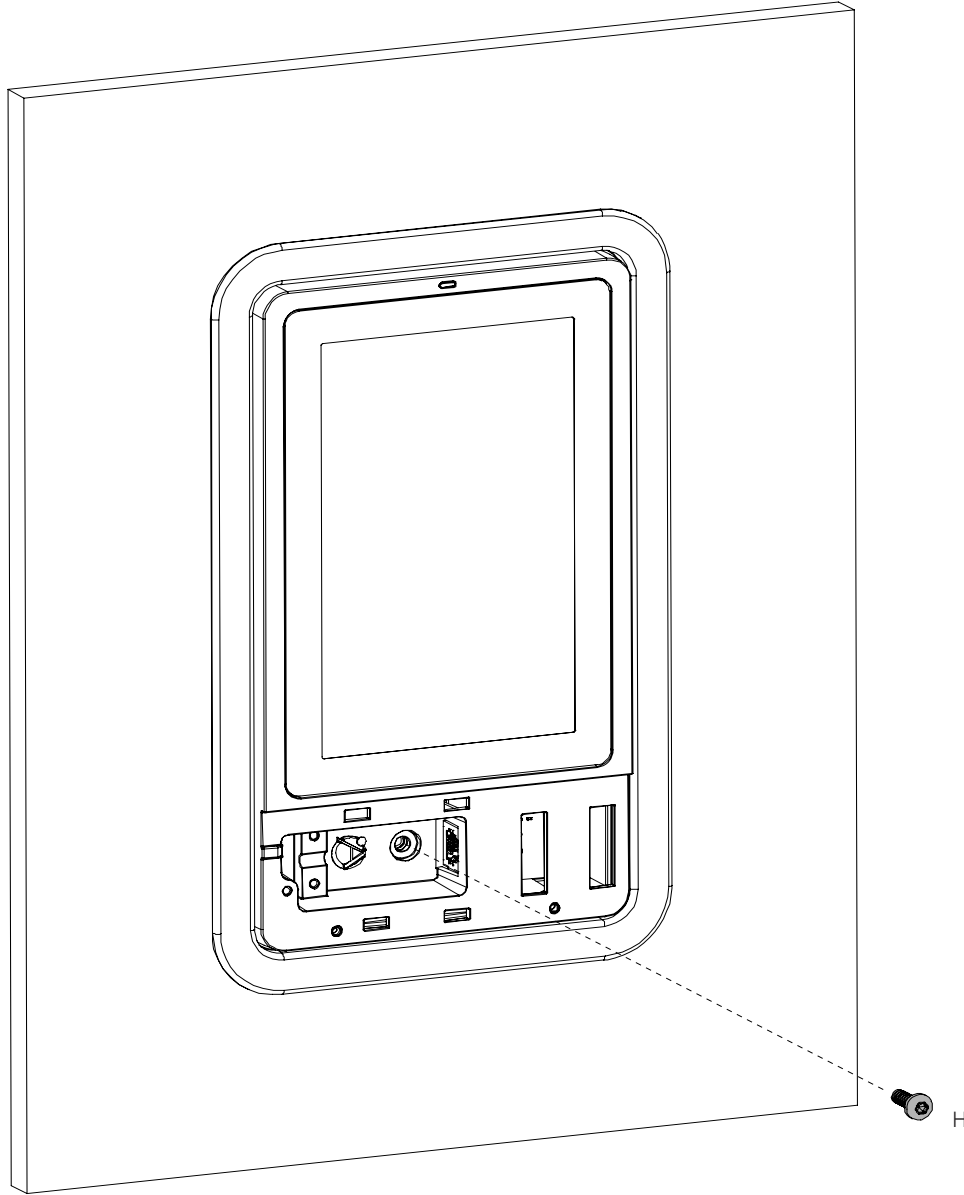
©2023 Atlas Sound L.P. The Atlas "Circle-A", Soundolier, and Atlas Sound are trademarks of Atlas Sound L.P. IED is a Registered Trademark of Innovative Electronic Designs LLC. All rights reserved. All other Trademarks are property of their respective owners. No endorsement is implied. Due to continual product development, specifications are subject to change without notice. ATIS007531 RevA 10/23 P/N 092523

Step 7: Flush Mount-Vertical



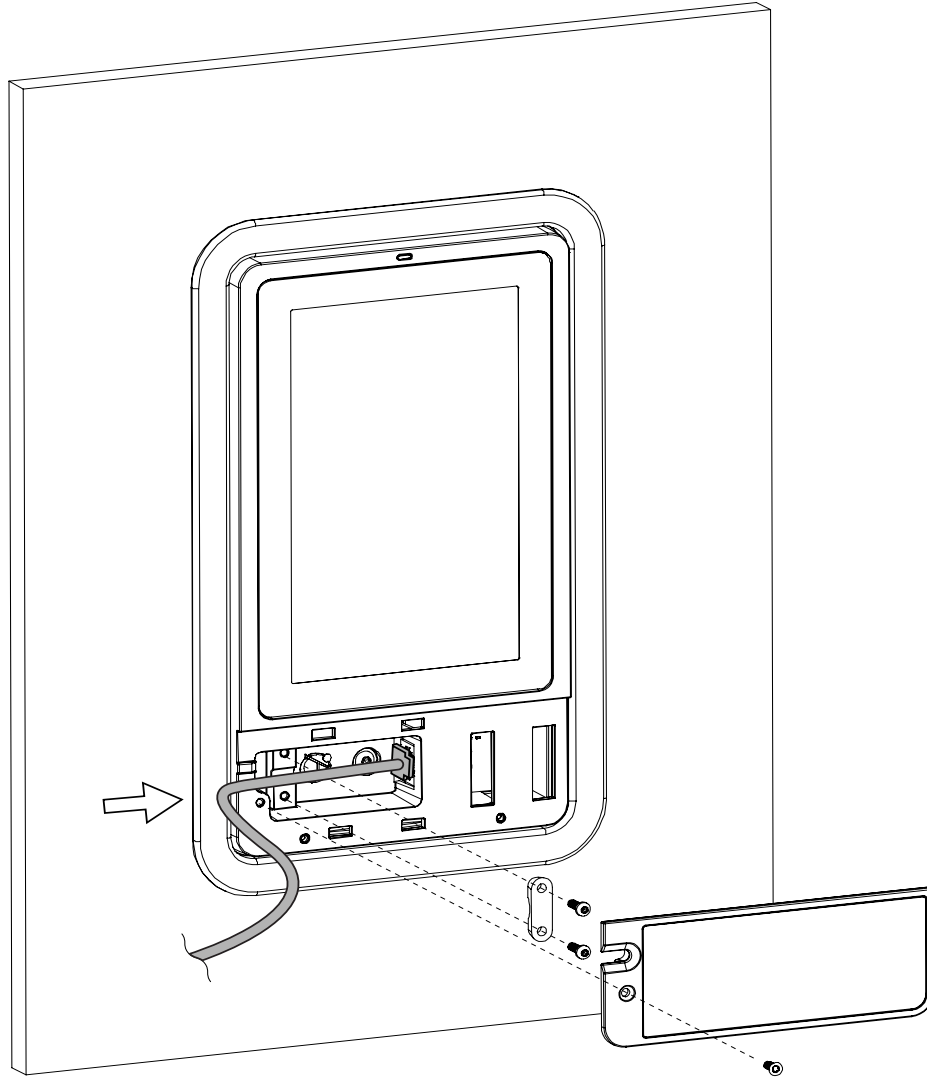
©2023 Atlas Sound L.P. The Atlas "Circle A", Soundolier, and Atlas Sound are trademarks of Atlas Sound L.P. IED is a Registered Trademark of Innovative Electronic Designs LLC. All rights reserved. All other Trademarks are property of their respective owners. No endorsement is implied. Due to continual product development, specifications are subject to change without notice. ATIS007531 RevA 10/23 P/N 092523

Step 8: Flush Mount-Vertical



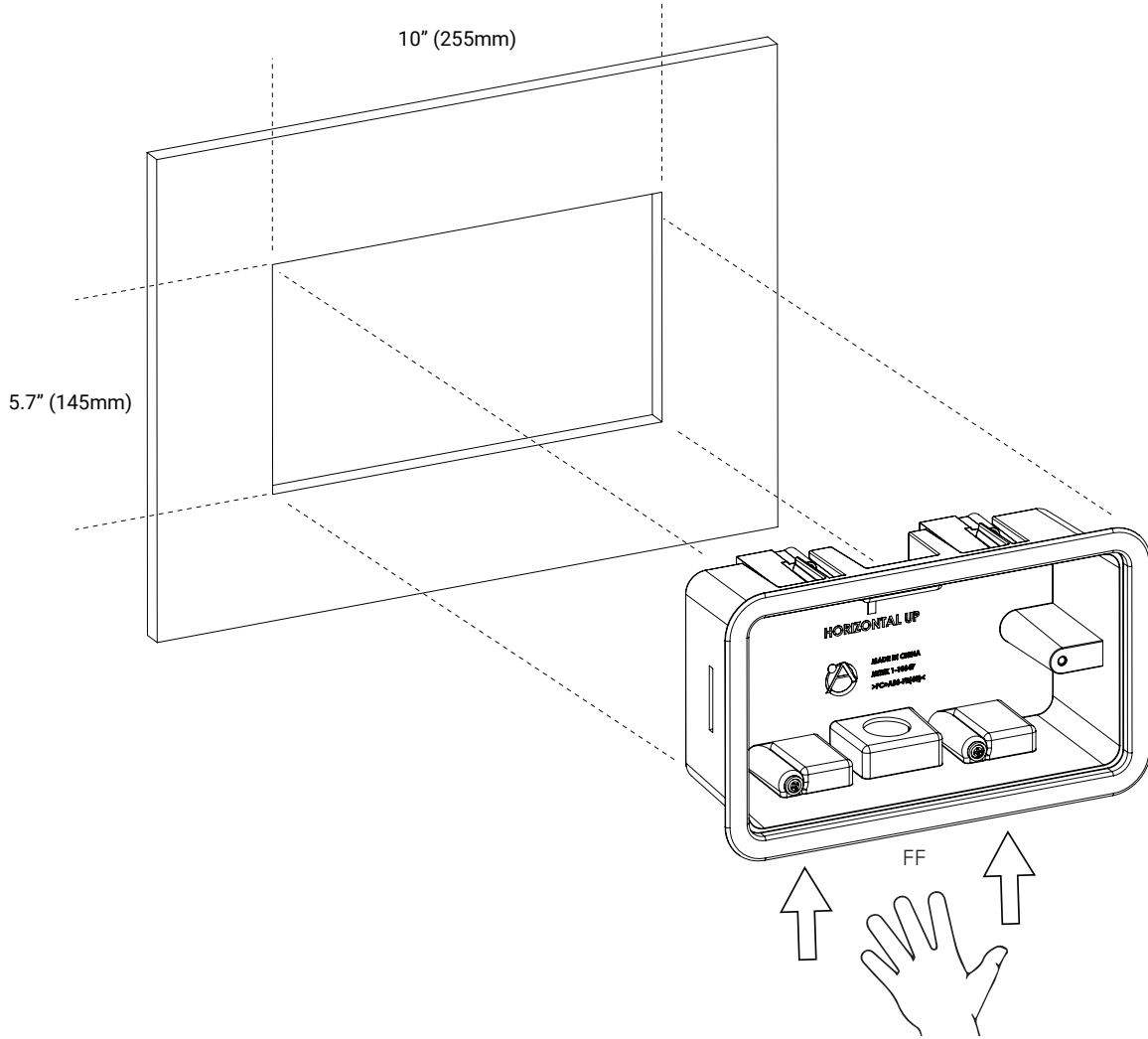
©2023 Atlas Sound L.P. The Atlas "Circle-A", Soundolier, and Atlas Sound are trademarks of Atlas Sound L.P. IED is a Registered Trademark of Innovative Electronic Designs LLC. All rights reserved. All other Trademarks are property of their respective owners. No endorsement is implied. Due to continual product development, specifications are subject to change without notice. ATIS007531 RevA 10/23 P/N 092523

Step 9: Flush Mount-Vertical



©2023 Atlas Sound L.P. The Atlas "Circle-A", Soundolier, and Atlas Sound are trademarks of Atlas Sound L.P. IED is a Registered Trademark of Innovative Electronic Designs LLC. All rights reserved. All other Trademarks are property of their respective owners. No endorsement is implied. Due to continual product development, specifications are subject to change without notice. ATIS007531 RevA 10/23 P/N 092523

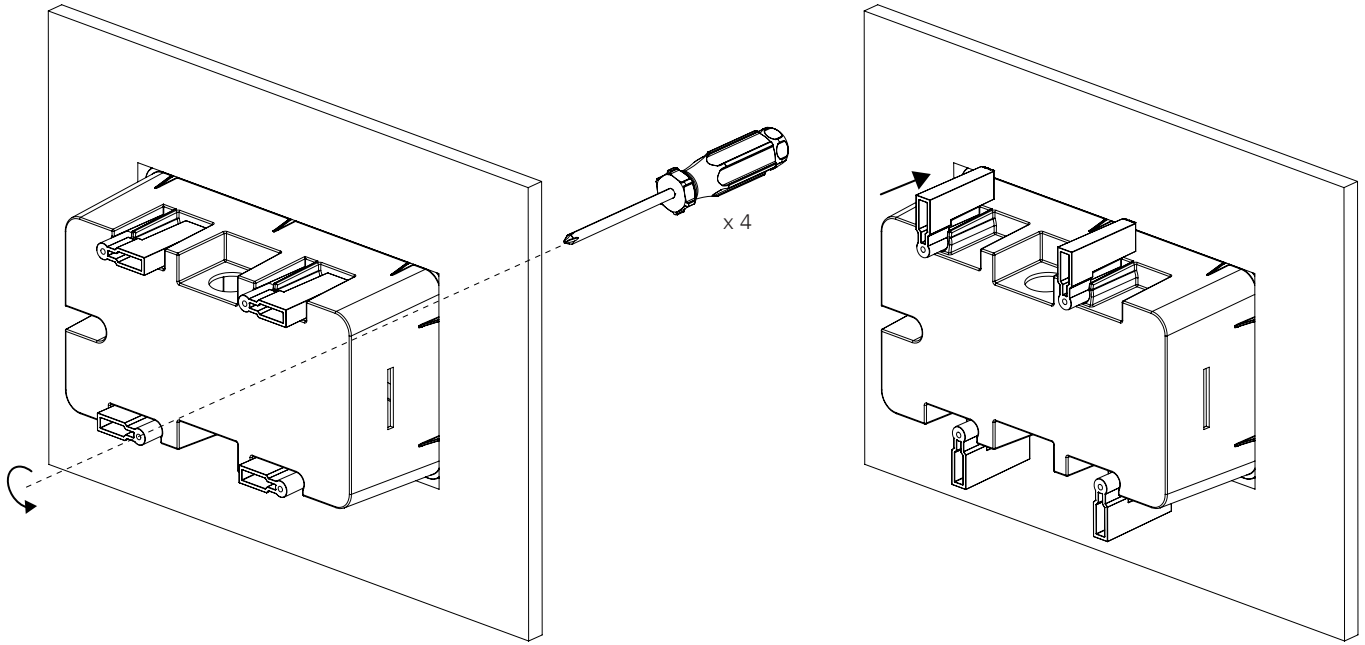
Step 1: Flush Mount- Horizontal



Note: For pre-construction use the 571MK-F-BF (purchased separately). Instructions for the 571MK-F-BR are at the end of this guide.

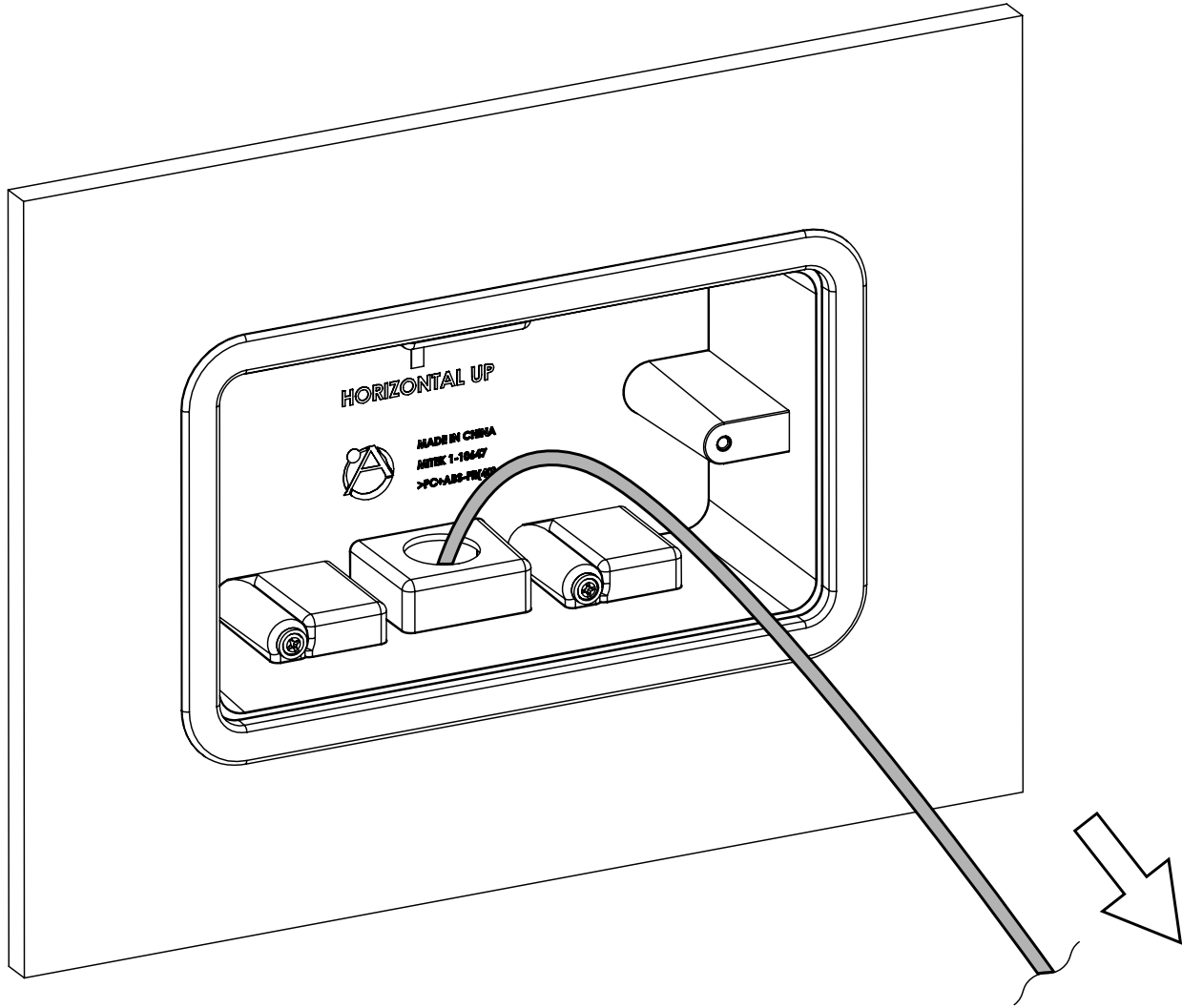
©2023 Atlas Sound L.P. The Atlas "Circle-A", Soundolier, and Atlas Sound are trademarks of Atlas Sound L.P. IED is a Registered Trademark of Innovative Electronic Designs LLC. All rights reserved. All other Trademarks are property of their respective owners. No endorsement is implied. Due to continual product development, specifications are subject to change without notice. ATIS007531 RevA 10/23 P/N 092523

Step 2: Flush Mount- Horizontal



©2023 Atlas Sound L.P. The Atlas "Circle-A", Soundolier, and Atlas Sound are trademarks of Atlas Sound L.P. IED is a Registered Trademark of Innovative Electronic Designs LLC. All rights reserved. All other Trademarks are property of their respective owners. No endorsement is implied. Due to continual product development, specifications are subject to change without notice. ATIS007531 RevA 10/23 P/N 092523

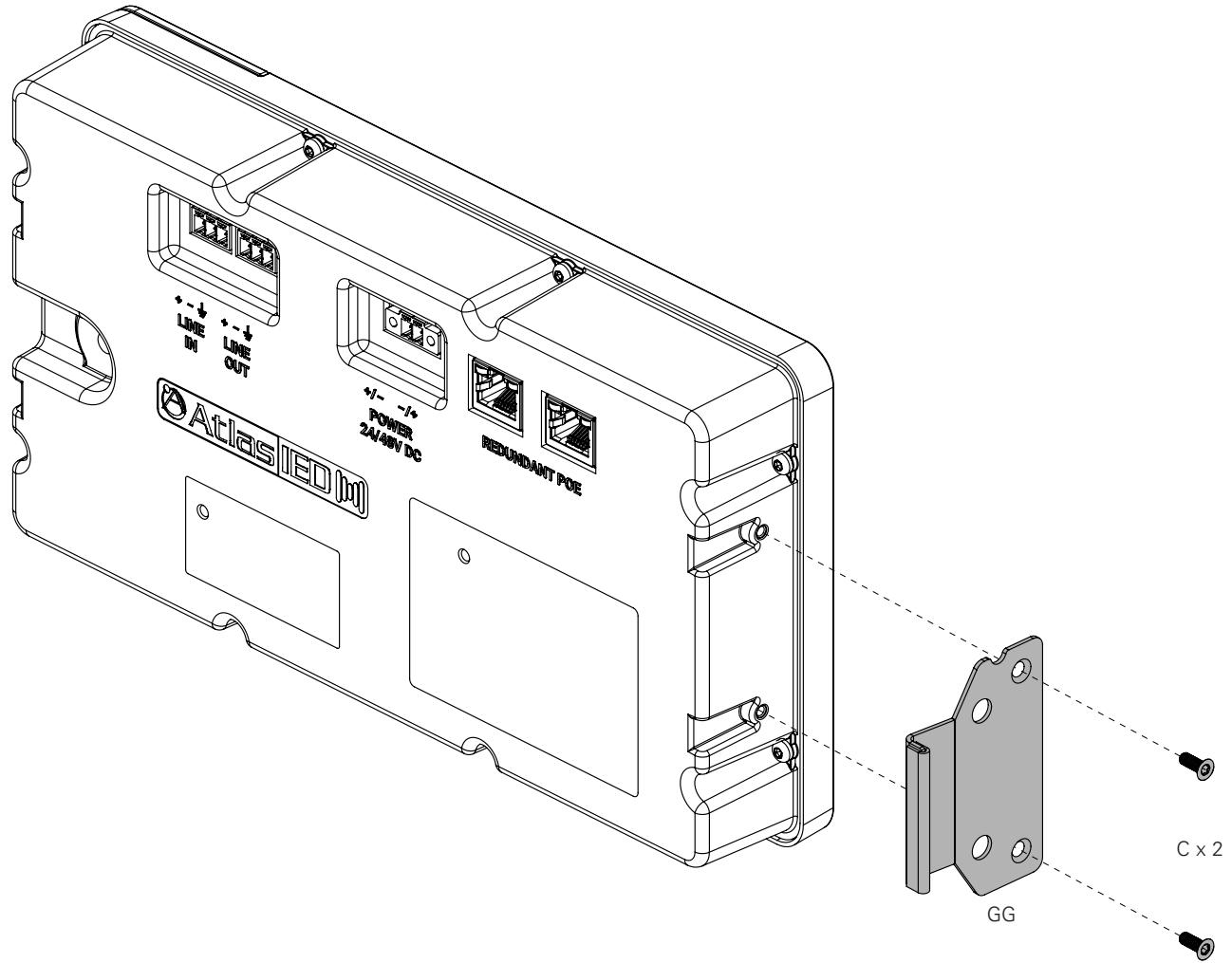
Step 3: Flush Mount- Horizontal



Note: Ensure that network cable is installed on the mic station before moving to the next step.

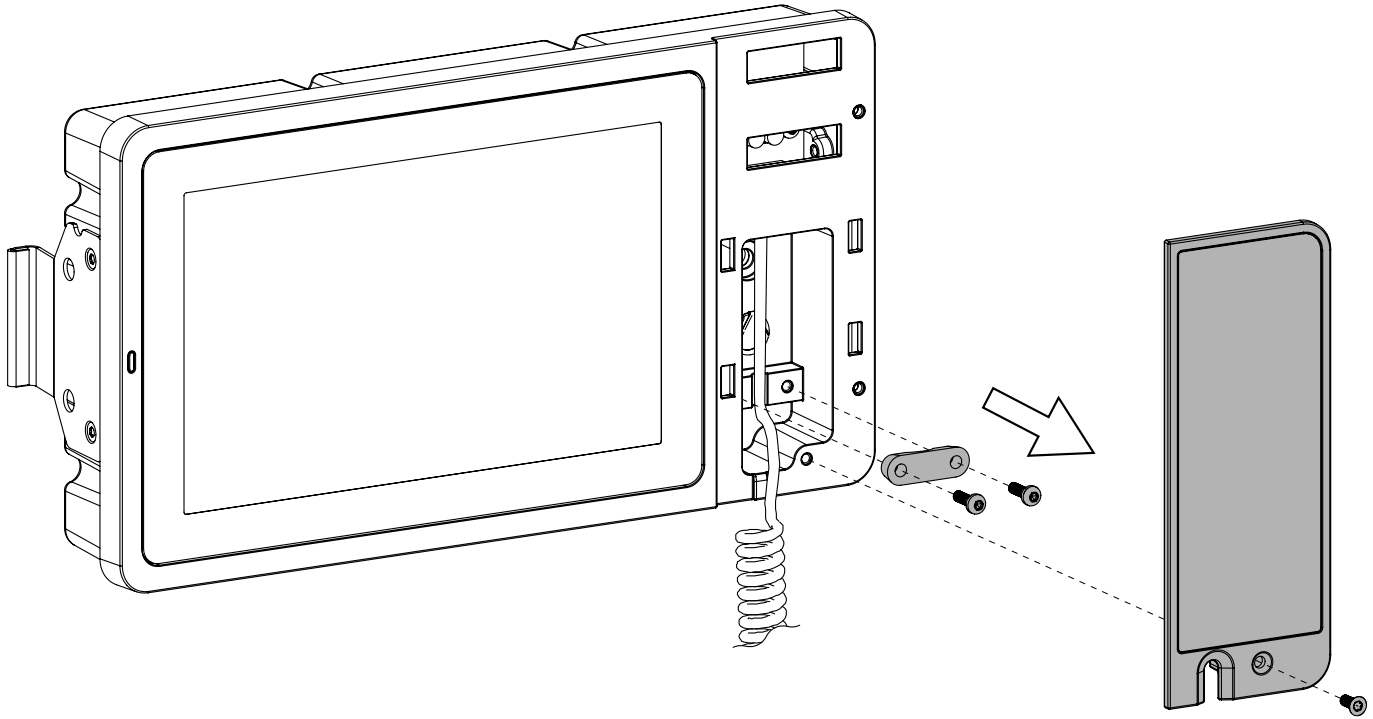
©2023 Atlas Sound L.P. The Atlas "Circle-A", Soundolier, and Atlas Sound are trademarks of Atlas Sound L.P. IED is a Registered Trademark of Innovative Electronic Designs LLC. All rights reserved. All other Trademarks are property of their respective owners. No endorsement is implied. Due to continual product development, specifications are subject to change without notice. ATIS007531 RevA 10/23 P/N 092523

Step 4: Flush Mount- Horizontal



©2023 Atlas Sound L.P. The Atlas "Circle-A", Soundolier, and Atlas Sound are trademarks of Atlas Sound L.P. IED is a Registered Trademark of Innovative Electronic Designs LLC. All rights reserved. All other Trademarks are property of their respective owners. No endorsement is implied. Due to continual product development, specifications are subject to change without notice. ATIS007531 RevA 10/23 P/N 092523

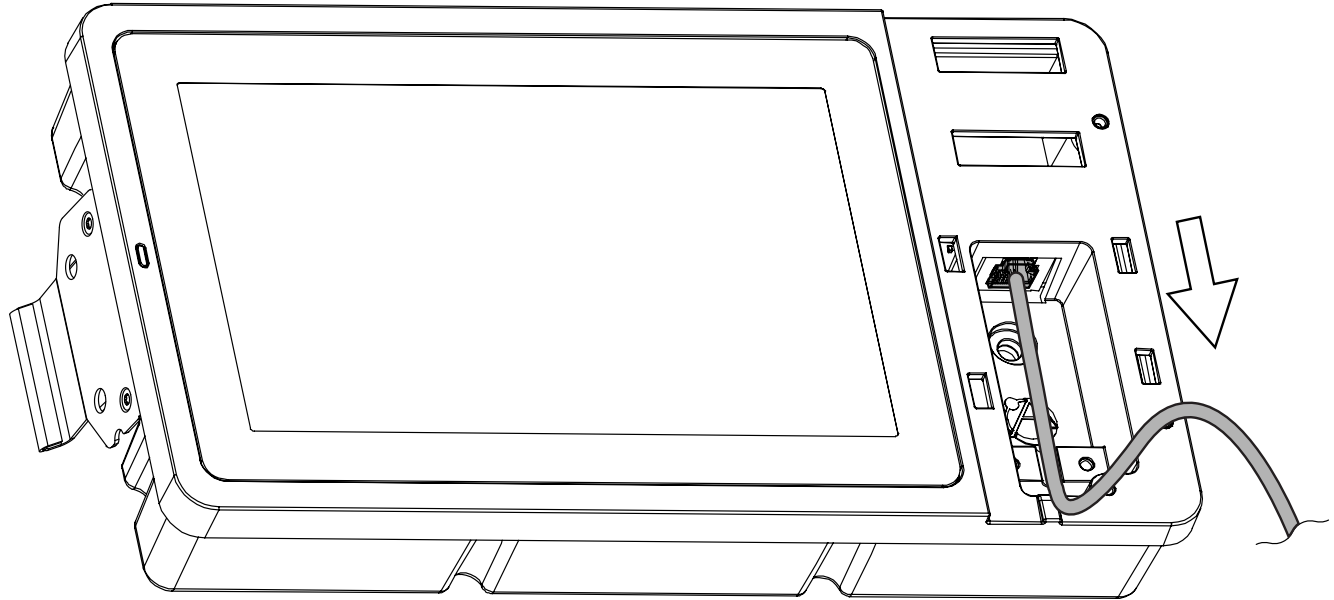
Step 5: Flush Mount- Horizontal



Note: Remove the pre-installed plate and strain relief from the 571 Mic Station (not of the mounting kit).

©2023 Atlas Sound L.P. The Atlas "Circle-A", Soundolier, and Atlas Sound are trademarks of Atlas Sound L.P. IED is a Registered Trademark of Innovative Electronic Designs LLC. All rights reserved. All other Trademarks are property of their respective owners. No endorsement is implied. Due to continual product development, specifications are subject to change without notice. AT5007531 RevA 10/23 P/N 092523

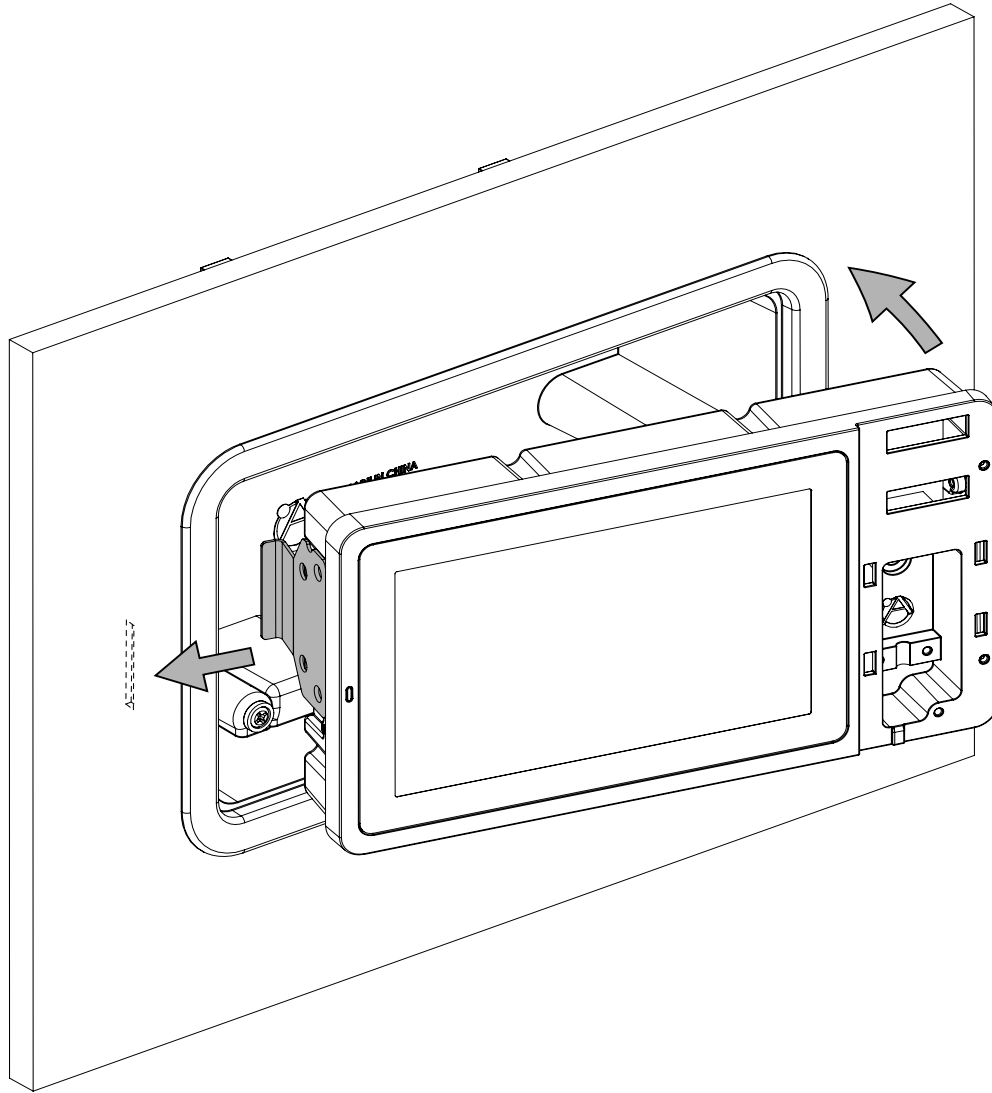
Step 6: Flush Mount- Horizontal



Note: Remove the installed microphone cable to access the screw hole underneath.

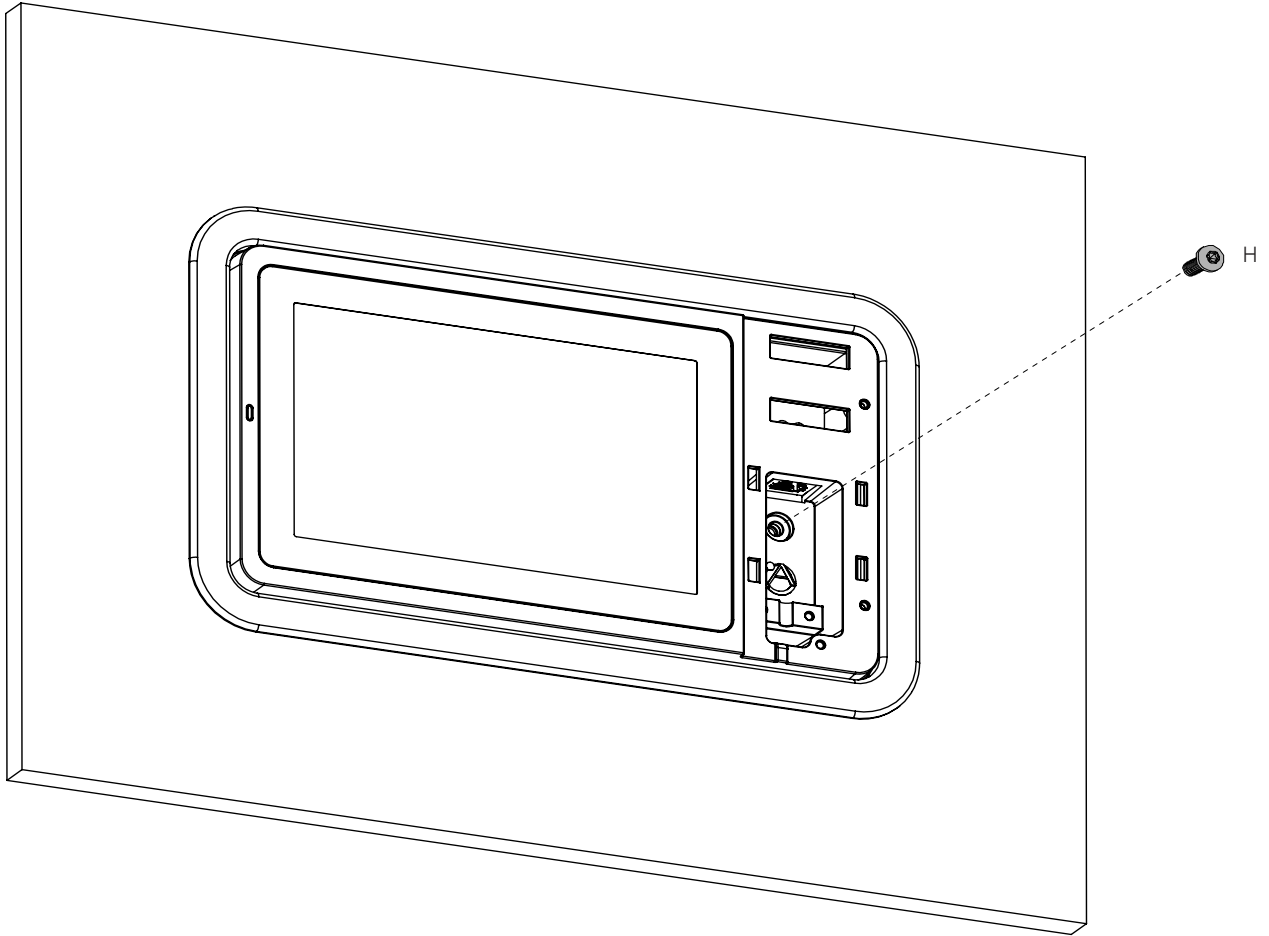
©2023 Atlas Sound L.P. The Atlas "Circle-A", Soundolier, and Atlas Sound are trademarks of Atlas Sound L.P. IED is a Registered Trademark of Innovative Electronic Designs LLC. All rights reserved. All other Trademarks are property of their respective owners. No endorsement is implied. Due to continual product development, specifications are subject to change without notice. ATIS007531 RevA 10/23 P/N 092523

Step 7: Flush Mount- Horizontal



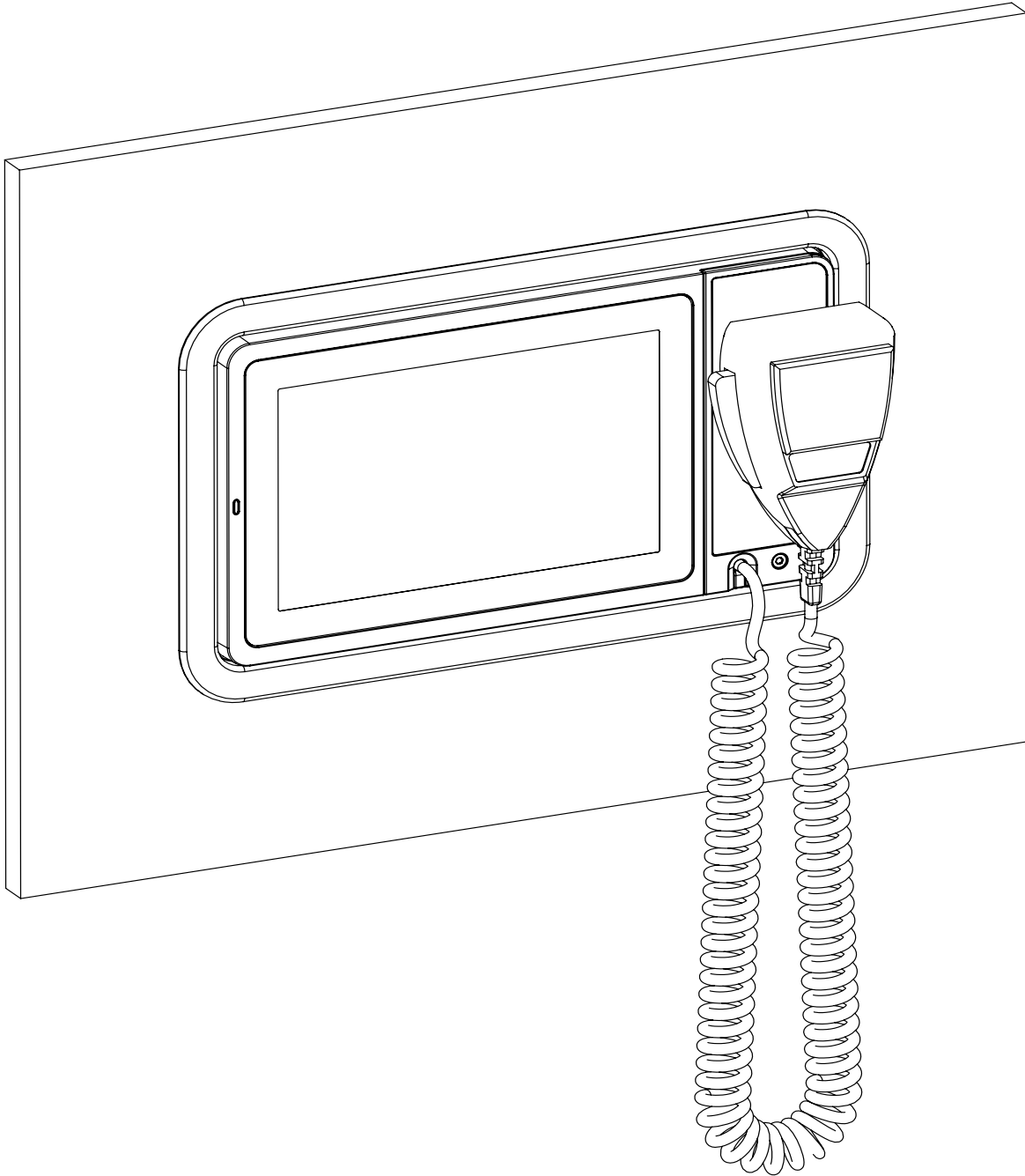
©2023 Atlas Sound L.P. The Atlas "Circle-A", Soundolier, and Atlas Sound are trademarks of Atlas Sound L.P. IED is a Registered Trademark of Innovative Electronic Designs LLC. All rights reserved. All other Trademarks are property of their respective owners. No endorsement is implied. Due to continual product development, specifications are subject to change without notice. ATIS007531 RevA 10/23 P/N 092523

Step 8: Flush Mount- Horizontal



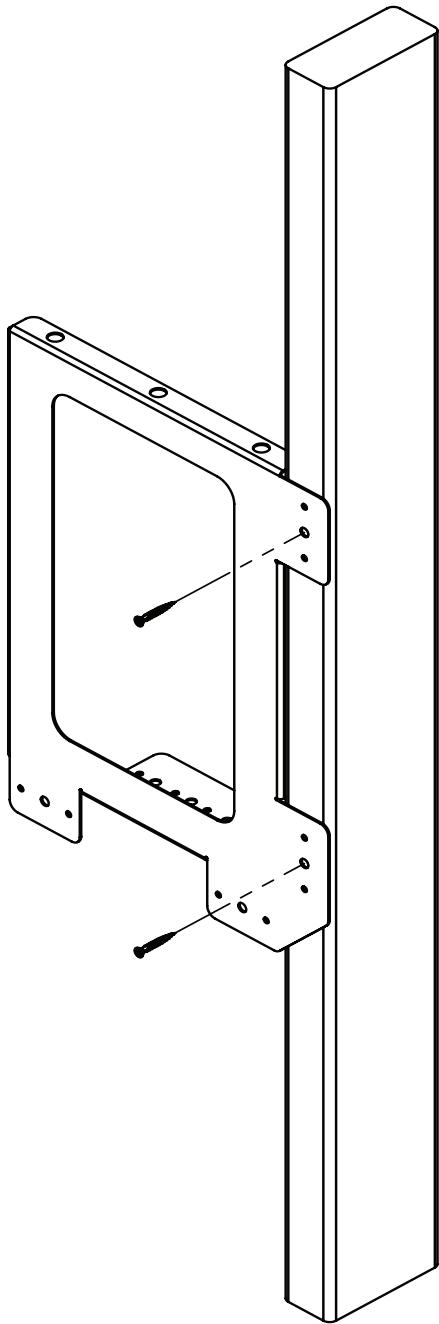
©2023 Atlas Sound L.P. The Atlas "Circle-A", Soundolier, and Atlas Sound are trademarks of Atlas Sound L.P. IED is a Registered Trademark of Innovative Electronic Designs LLC. All rights reserved. All other Trademarks are property of their respective owners. No endorsement is implied. Due to continual product development, specifications are subject to change without notice. ATIS007531 RevA 10/23 P/N 092523

Step 9: Flush Mount- Horizontal

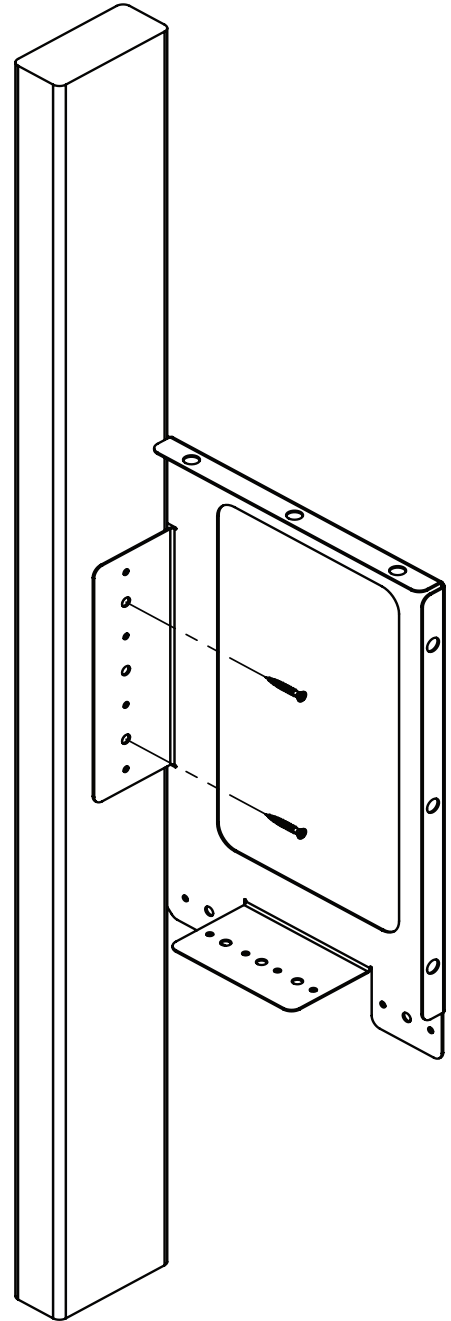


©2023 Atlas Sound L.P. The Atlas "Circle A", Soundolier, and Atlas Sound are trademarks of Atlas Sound L.P. IED is a Registered Trademark of Innovative Electronic Designs LLC. All rights reserved. All other Trademarks are property of their respective owners. No endorsement is implied. Due to continual product development, specifications are subject to change without notice. ATIS007531 RevA 10/23 P/N 092523

Optional: The 571 Flush Mount Bracket (571MK-F-BR) is purchased separately for pre-construction 571 installations with holes for standard #6 drywall screws or nails. This serves as a guide for cutting into the drywall.

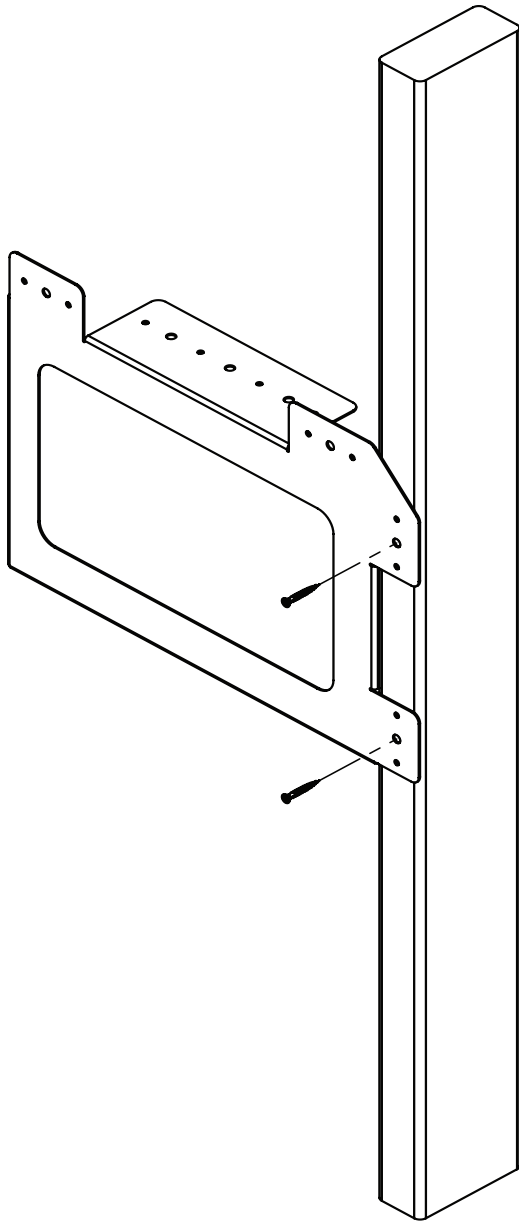


Vertical Installation

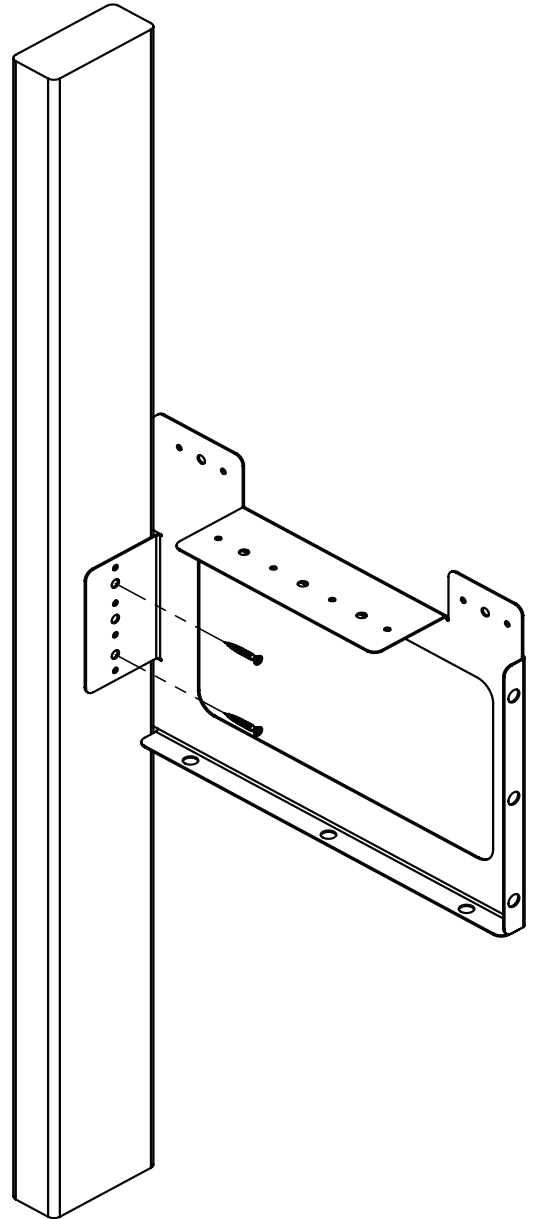


©2023 Atlas Sound L.P. The Atlas "Circle-A", Soundolier, and Atlas Sound are trademarks of Atlas Sound L.P. IED is a Registered Trademark of Innovative Electronic Designs LLC. All rights reserved. All other Trademarks are property of their respective owners. No endorsement is implied. Due to continual product development, specifications are subject to change without notice. ATIS007531 RevA 10/23 P/N 092523

Optional: The 571 Flush Mount Bracket (571MK-F-BR) is purchased separately for pre-construction 571 installations with holes for standard #6 drywall screws or nails. This serves as a guide for cutting into the drywall.



Horizontal Installation



©2023 Atlas Sound L.P. The Atlas "Circle-A", Soundolier, and Atlas Sound are trademarks of Atlas Sound L.P. IED is a Registered Trademark of Innovative Electronic Designs LLC. All rights reserved. All other Trademarks are property of their respective owners. No endorsement is implied. Due to continual product development, specifications are subject to change without notice. AT5007531 RevA 10/23 P/N 092523

FCC Notice

This device complies with part 15 of the FCC Rules. Operation is subject to the following two conditions:

1. This device may not cause harmful interference.
2. This device must accept any interference received, including interference that may cause undesired operation.

Note: This equipment has been tested and found to comply with the limits for a Class A digital device, pursuant to part 15 of the FCC Rules. These limits are designed to provide reasonable protection against harmful interference when the equipment is operated in a commercial environment. This equipment generates, uses, and can radiate radio frequency energy and, if not installed and used in accordance with the instruction manual, may cause harmful interference to radio communications. Operation of this equipment in a residential area is likely to cause harmful interference in which case the user will be required to correct the interference at their own expense.

Limited Warranty

All products manufactured by AtlasIED are warranted to the original dealer/installer, industrial or commercial purchaser to be free from defects in material and workmanship and to be in compliance with our published specifications, if any. This warranty shall extend from the date of purchase for a period of three years on all AtlasIED products, including SOUNDOLIER brand, and ATLAS SOUND brand products except as follows: one year on electronics and control systems; one year on replacement parts; and one year on Musician Series stands and related accessories. Additionally, fuses and lamps carry no warranty. AtlasIED will solely at its discretion, replace at no charge or repair free of charge defective parts or products when the product has been applied and used in accordance with our published operation and installation instructions. We will not be responsible for defects caused by improper storage, misuse (including failure to provide reasonable and necessary maintenance), accident, abnormal atmospheres, water immersion, lightning discharge, or malfunctions when products have been modified or operated in excess of rated power, altered, serviced or installed in other than a workman like manner. The original sales invoice should be retained as evidence of purchase under the terms of this warranty. All warranty returns must comply with our returns policy set forth below. When products returned to AtlasIED do not qualify for repair or replacement under our warranty, repairs may be performed at prevailing costs for material and labor unless there is included with the returned product(s) a written request for an estimate of repair costs before any nonwarranty work is performed. In the event of replacement or upon completion of repairs, return shipment will be made with the transportation charges collect.

EXCEPT TO THE EXTENT THAT APPLICABLE LAW PREVENTS THE LIMITATION OF CONSEQUENTIAL DAMAGES FOR PERSONAL INJURY, ATLASIED SHALL NOT BE LIABLE IN TORT OR CONTRACT FOR ANY DIRECT, CONSEQUENTIAL OR INCIDENTAL LOSS OR DAMAGE ARISING OUT OF THE INSTALLATION, USE OR INABILITY TO USE THE PRODUCTS. THE ABOVE WARRANTY IS IN LIEU OF ALL OTHER WARRANTIES INCLUDING BUT NOT LIMITED TO WARRANTIES OF MERCHANTABILITY AND FITNESS FOR A PARTICULAR PURPOSE.

AtlasIED does not assume, or does it authorize any other person to assume or extend on its behalf, any other warranty, obligation, or liability. This warranty gives you specific legal rights and you may have other rights which vary from state to state.

Online Warranty Claim Processes

- 1) If already logged-in, navigate to this page by selecting "Support" and then "Warranty & Returns" from the top menu. If you aren't logged into the site, once the type of return is selected, you will be prompted to enter your login credentials. If you do not have a login, register on the site.
- 2) Warranty submissions are accepted at: https://www.atlasied.com/warranty_statement where the type of return- Submit Warranty Claim or Submit a Return Request- can be selected.
- 3) In order to file a Warranty Claim or Return, you will need:
 - A) A copy of the invoice/receipt of the purchased item
 - B) Date of purchase
 - C) The product name or SKU
 - D) The serial number for the item
 - E) A brief description of the fault for the claim (for warranty claims)
- 4) Once all required fields are completed, select the "Submit" button.
 - A) You will receive 2 emails:
 1. One with a confirmation of the submission
 2. One with a case# for your reference should you need to contact us.

Please allow 2-3 business days for a response with a Return Authorization (RA) number and further instructions.