



96-8 Series

Round Protective Enclosures for 8" Loudspeakers



96-8



96-8-7

Features

- Enclosures Mount 15 Standard and 5 UL Listed Grilles
- Available With or Without Conduit Knockouts
- Choice of Standard or Extra-Depth Models

Applications

Utilize 96 Series recessed enclosures to fulfill varying installation and application requirements. These models are particularly suited for use in acoustic tile ceilings. An extended plaster flange allows the mounting holes and nuts to be easily accessible and keeps them protected from the plaster and concrete in poured and plaster ceilings. The units accommodate 8" loudspeakers and are available with or without conduit knockouts. Extra depth models are also offered to improve the low frequency performance of 8" commercial and professional loudspeakers.

General Description

Atlas Sound 96 Series are cost-efficient cylindrical protective enclosures that mount a variety of Atlas Sound grilles. All models are of welded CRS construction, have a painted finish, and are undercoated and patch-jute lined to eliminate mechanical and acoustical resonances.

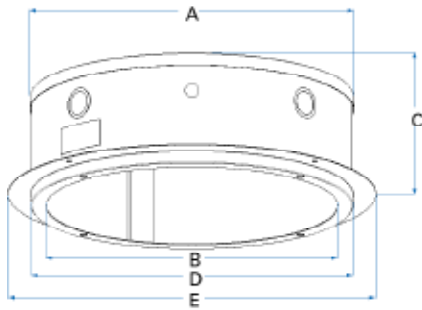
Standard Model

96-8. This popular enclosure is manufactured with its mounting holes located on the internal plaster flange to allow easy and convenient installation. Each unit is furnished with four combination $\frac{1}{2}$ "- $\frac{3}{4}$ " (13mm-19mm) conduit knockouts and four J-Clips attached to the enclosure for installing screw-mount baffles.

Extra Depth Models

96-8-7 and 96-8-10. These extra depth models provide improved low frequency performance of 8" commercial and professional loudspeakers. Increased volume extends bass response by allowing additional acoustic loading for cost-effective application wherever enhanced audio quality is desired. The extra depth versions have the same features as the standard 96 Series, however, Models 96-8-7 (.449 ft.³) and 96-8-10 (.641 ft.³) are lined with 1 $\frac{1}{2}$ " (38mm) thick density fiberglass (1 $\frac{1}{2}$ lbs. per ft.³) to prevent metallic resonance.

©2011 Atlas Sound L.P. All rights reserved. Atlas Sound and Strategy Series are trademarks of Atlas Sound L.P. All other trademarks are the property of their respective owners. AT5004102 RevA 7/11



Architect and Engineer Specifications

The metal protective enclosure shall be Atlas Sound Model 96- ____ or approved equal. It shall have a plaster ring flange which permits mounting nuts to be easily accessible. Unit will be equipped with four J-Nuts for installing screw-mount baffles and shall (include, not include) four combination 1/2"-3/4" (13-19mm) conduit knockouts. Enclosure shall have a black epoxy finish and be undercoated to prevent acoustical and mechanical resonance. Extra-depth model 96-8-7 and 96-8-10 shall include 1 1/2" thick density fiberglass lining. The enclosure shall mount Atlas Sound baffle Model ____ or approved equal.

Specifications

96-8

A	11 7/8" (302mm)
B	10 3/4" (273mm)
C	4 1/4" (108mm)
D	11 7/8" (302mm)
E	13 1/2" (343mm)
Volume	.272 ft. ³
Weight	3.5 lbs. (1.6 kg)
Mounts Baffles	51-8, 60-8(W), 62-8, 63-8, 67-8(W), 68-8W, 170-8, G22-8, M222(W), P900, VP-60R, U51-8, U61-8W, U62-8, UG22-8, UM222W

96-8-7

A	11 7/8" (302mm)
B	10 3/4" (273mm)
C	7" (178mm)
D	11 7/8" (302mm)
E	13 1/2" (343mm)
Volume	.449 ft. ³
Weight	4.25 lbs. (1.9 kg)
Mounts Baffles	51-8, 60-8(W), 62-8, 63-8, 67-8(W), 68-8W, 170-8, G22-8, M222(W), P900, VP-60R, U51-8, U61-8W, U62-8, UG22-8, UM222W

96-8-10

A	11 7/8" (302mm)
B	10 3/4" (273mm)
C	10" (254mm)
D	11 7/8" (302mm)
E	13 1/2" (343mm)
Volume	.641 ft. ³
Weight	5.25 lbs. (2.4 kg)
Mounts Baffles	51-8, 60-8(W), 62-8, 63-8, 67-8(W), 68-8W, 170-8, G22-8, M222(W), P900, VP-60R, U51-8, U61-8W, U62-8, UG22-8, UM222W