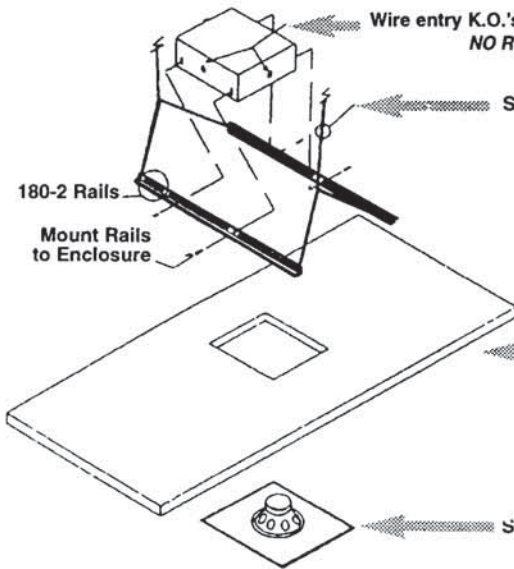


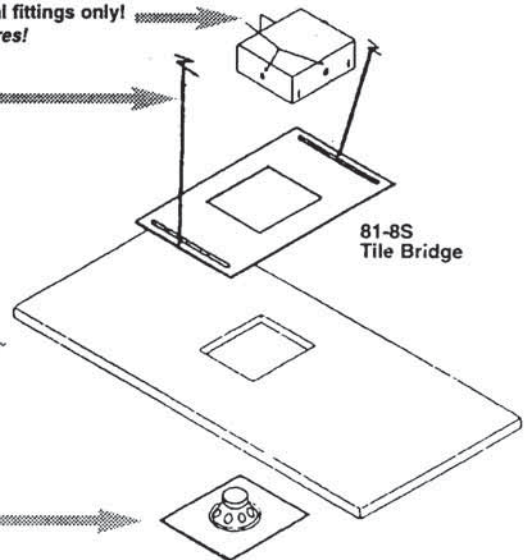
INSTALLATION INSTRUCTIONS

FOR ROUND OR SQUARE ENCLOSURES

Square Enclosure Mounted with 180-2 Mount Rails



Square Enclosure Mounted with 81-8S Tile Bridge



Wire entry K.O.'s use metal conduit & metal fittings only!
NO Rubber Bushings on enclosures!

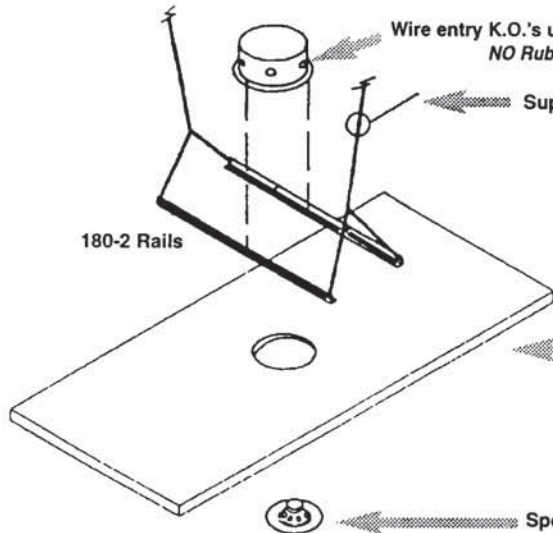
Support Wire if Required

Ceiling Tile

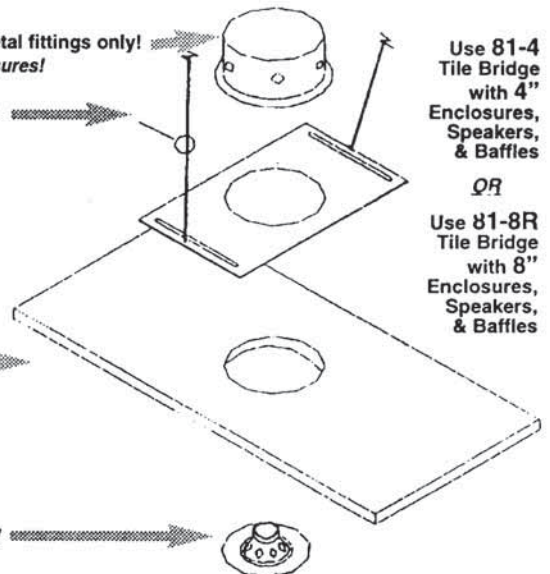
Speaker/Baffle Assembly

Enclosures are suitable for use in air handling spaces.
NOTE: Local codes may require other installation methods. Check with authority having jurisdiction to determine acceptability of the mounting methods shown.

Round Enclosure Mounted with 180-2 Mount Rails



Round 4" or 8" Enclosure Mounted with 81-4 or 81-8R Tile Bridge



Wire entry K.O.'s use metal conduit & metal fittings only!
NO Rubber Bushings on Enclosures!

Support Wire if Required

Ceiling Tile

Speaker/Baffle Assembly

Use 81-4 Tile Bridge with 4" Enclosures, Speakers, & Baffles

OR

Use 81-8R Tile Bridge with 8" Enclosures, Speakers, & Baffles

Specifications are subject to change without notice



ATLAS SOUND

1601 JACK MCKAY BOULEVARD ENNIS, TEXAS U.S.A. • TELEPHONE: (800) 876-3332 • FAX: (800) 765-3435

©2001 AtlasSound

Printed in U.S.A.

00401

www.AtlasSound.com

JN AT000485

P/N 420805